

Sleeved Plug Valve

Patent No.: ZL201220432369.6
ZL201430041453.X

Product Description

- A PTFE sleeve is fitted into the valve body and accepts the metal plug which rotates against the PTFE with a minimum of required torque.
- PTFE, being highly inert and having a very low coefficient of friction, completely surrounded to plug, is ideal for this service. The sleeve provides a large, circumferential sealing surface from port to port.
- It features bi-directional flow, simple actuation, light weight, compact design.
- It is designed to give long-term, trouble-free service in a wide variety of application.
- No seizing, no sticking. As the plug rotates, the 360° port lips provides a self-cleaning action to remove scaling and adhering media.
- Youfumi sleeved plug valve is an excellent option for the mining industry.



Sleeved Plug Valve X43F

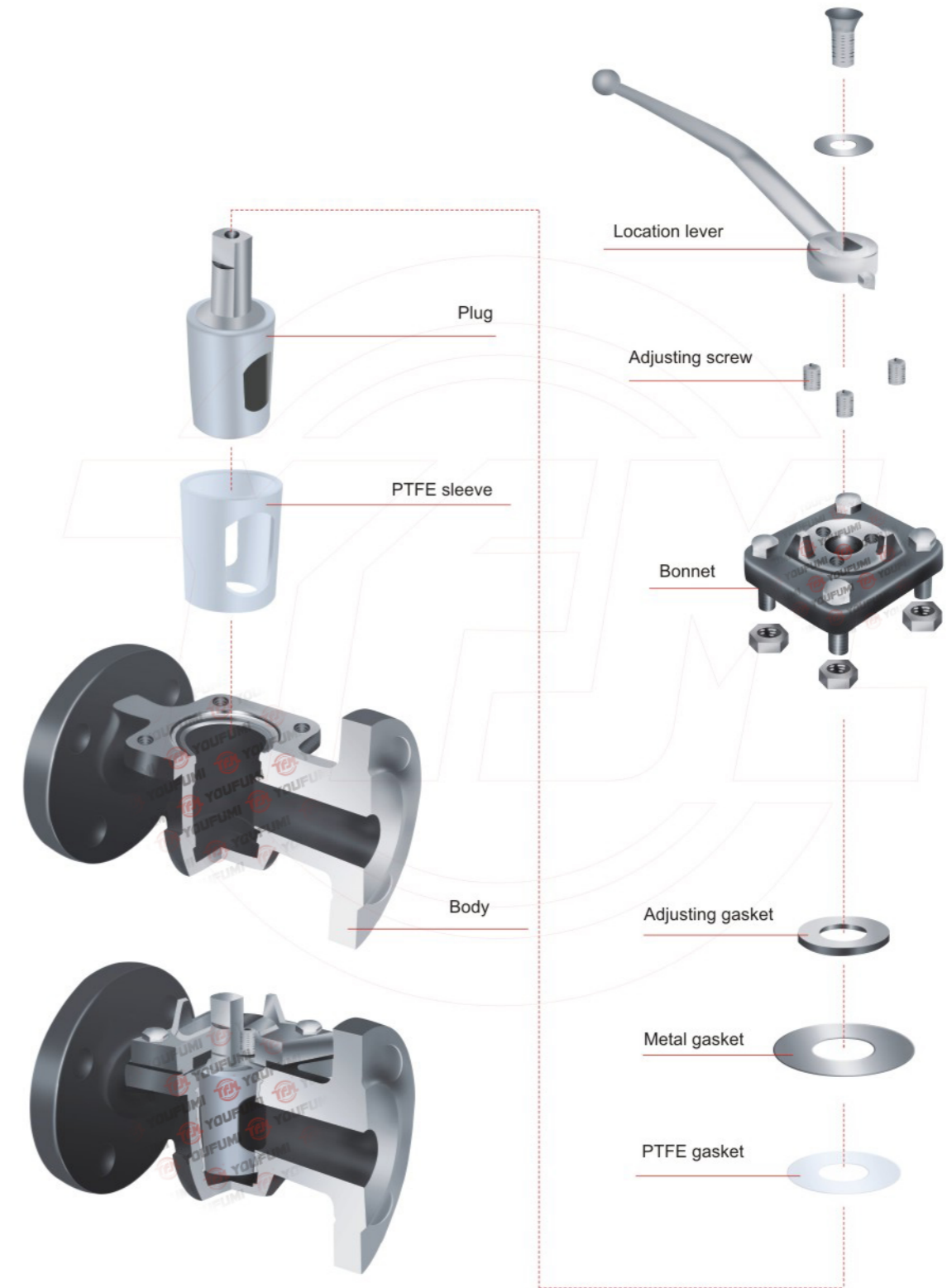


Sleeved Three-way Plug Valve X44

Lined Valve Sleeved Plug Valve



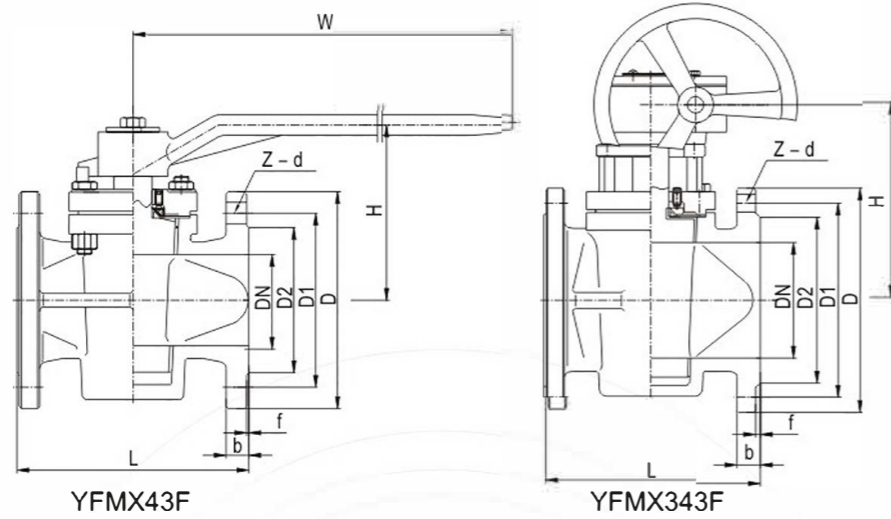
Cutway View



A Lined Valve Sleeved Plug Valve



GB Sleeved Plug Valve



HG/T 20592 PN10

Unit:mm

DN	L	D	D1	D2	Z-d	f	b	H	W	H0
15	110	95	65	45	4-14	2.5	14	85	180	-
20	117	105	75	55	4-14	2.5	16	88	180	-
25	127	115	85	65	4-14	2.5	16	98	260	-
32	140	140	100	78	4-18	2.5	16	101	260	-
40	165	150	110	85	4-18	3	16	128	320	-
50	178	165	125	100	4-18	3	16	128	320	-
65	190	185	145	120	4-18	3.5	16	135	320	-
80	203	200	160	135	8-18	3.5	18	164	400	322
100	229	220	180	155	8-18	4	18	178	400	332
125	254	250	210	185	8-18	4	20	205	-	385
150	267	285	240	210	8-23	4	20	220	-	405
200	292	340	295	265	8-23	4.5	22	-	-	455
250	330	395	350	320	12-23	4.5	24	-	-	490

HG/T 20592 PN16

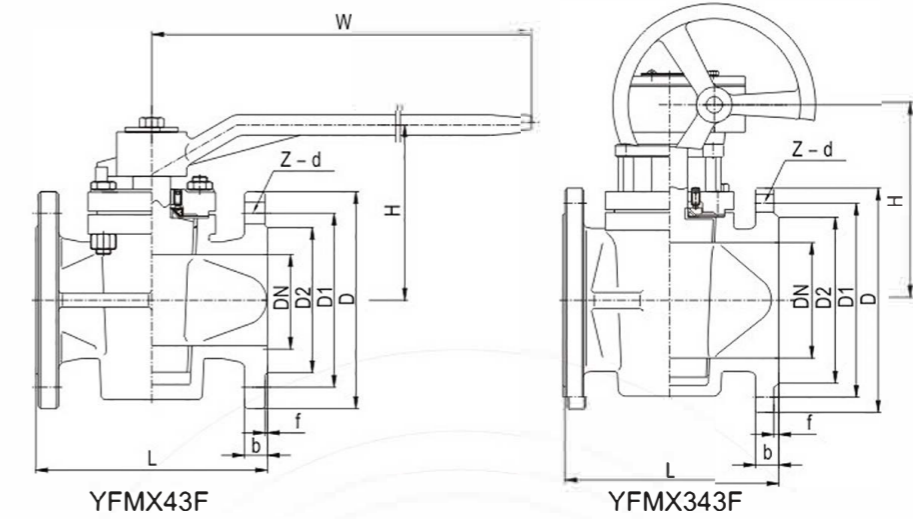
DN	L	D	D1	D2	Z-d	f	b	H	W	H0
15	110	95	65	45	4-14	2.5	14	85	180	-
20	117	105	75	55	4-14	2.5	16	88	180	-
25	127	115	85	65	4-14	2.5	16	98	260	-
32	140	140	100	78	4-18	2.5	16	101	260	-
40	165	150	110	85	4-18	3	16	128	320	-
50	178	165	125	100	4-18	3	16	128	320	-
65	190	185	145	120	4-18	3.5	16	135	320	-
80	203	200	160	135	8-18	3.5	18	164	400	322
100	229	220	180	155	8-18	4	18	178	400	332
125	254	250	210	185	8-18	4	20	205	-	385
150	267	285	240	210	8-23	4	20	220	-	405
200	292	340	295	265	12-23	4.5	22	-	-	455
250	330	405	355	320	12-26	4.5	24	-	-	490

Note: For more size please consult factory.

A Lined Valve Sleeved Plug Valve



ANSI Sleeved Plug Valve



ASME B16.5 Class150

Unit:mm

NPS	DN	L	D	D1	D2	Z-d	f	b	H	W	H0
1/2	15	110	89	60.5	35	4-16	2.5	8	85	180	-
3/4	20	117	98	70.0	43	4-16	2.5	8.9	88	180	-
1	25	127	108	79.5	51	4-16	2.5	9.6	98	260	-
1 1/4	32	140	117	89.0	64	4-16	2.5	11.2	101	260	-
1 1/2	40	165	127	98.5	73	4-16	3	12.7	128	320	-
2	50	178	152	120.5	92	4-19	3	14.3	128	320	-
2 1/2	65	190	178	139.5	105	4-19	3.5	15.9	135	320	-
3	80	203	190	152.5	127	4-19	3.5	17.5	164	400	322
4	100	229	229	190.5	157	8-19	4	22.3	178	400	332
5	125	254	254	216.0	186	8-22	4	22.3	205	-	385
6	150	267	279	241.5	216	8-22	4	23.9	220	-	405
8	200	292	343	298.5	270	8-22	4.5	27	-	-	455
10	250	330	406	362.0	324	12-25	4.5	28.6	-	-	490

ASME B16.5 Class300

NPS	DN	L	D	D1	D2	Z-d	f	b	H	W	H0
1/2	15	110	95	66.5	35	4-16	2.5	8	85	180	-
3/4	20	117	117	82.5	43	4-19	2.5	8.9	88	180	-
1	25	127	124	89.0	51	4-19	2.5	9.6	98	260	-
1 1/4	32	140	133	98.5	64	4-19	2.5	11.2	101	260	-
1 1/2	40	165	156	114.5	73	4-22	3	12.7	128	320	-
2	50	178	165	127.0	92	8-19	3	14.3	128	320	-
2 1/2	65	190	190	149.0	105	8-22	3.5	15.9	135	320	-
3	80	203	210	168.5	127	8-22	3.5	17.5	164	400	322
4	100	229	254	200.0	157	8-22	4	22.3	178	400	332
5	125	254	279	235.0	186	8-22	4	22.3	205	-	385
6	150	267	318	270.0	216	12-22	4	23.9	220	-	405
8	200	292	381	330.0	270	12-25	4.5	27	-	-	455
10	250	330	445	387.5	324	16-29	4.5	28.6	-	-	490