



ZHENGZHOU CITY ZD VALVE CO.,LTD



KV CONTROLS

Control & Isolation Valves

46 Mercury Street
Naledi Industrial Park
Vaalpark
Tel: +27 (0) 16 100 4592
www.kvcontrols.co.za

KV Controls (PTY) Ltd. Reg No: 2016/378940/07

ZD VALVE

www.zdvalve.net



ZHENGZHOU CITY ZD VALVE CO.,LTD

Contents



01 - 02

Company Profile / Certificates



03 - 10

Double Eccentric Double Flange Butterfly Valve



11 - 15

Tilting Disc Check Valve



16 - 20

Eccentric Ball Valve



21 - 24

Dismantling Joint



Company Profile

ZD company, a member of China Valve Technology, Inc. is specialized in developing and manufacturing low and middle pressure butterfly valve, tilting disc check valve, ball valve and valves in special design.

◉ ZD is member of :

- China Valve Association
- The China Water Association
- The Henan Quality Association

◉ We have:

- ISO 9001 certificate since 1997
- CE certificate since 2002
- API 6D certificate since 2003
- WRAS certificate since 2006
- ISO14001 certificate since 2007
- NSF certificate since 2013
- API 609 certificate since 2015

ZD products have been awarded many national patents, evaluated as China Quality Up to Par Products by China Quality Inspection Association and National technology Supervisal Intelligence Graduate School, and recommended as customer Trusting Product by China Customer Protection Fund.

◉ Our main products are:

- Butterfly valve (EN593, AWWA C504, API609, AS2129, etc.)
- Rubber-lined butterfly valve
- Eccentric ball valve
- Tilting disc check valve
- Hydraulic control butterfly valve

Size range for butterfly valve: DN100 up to DN4200 Pressure range for butterfly valve: up to PN40 bar
 Size range for ball valve: DN50 up to DN1600 Pressure range for ball valve: up to PN64 bar
 Size range for check valve: DN100 up to DN2000 Pressure range for check valve: up to PN25 bar

Operation Mode: Hand wheel, gear, electric, pneumatic and hydraulic etc.

◉ Our products are sold and installed in:

- China --- South East Asia
- Europe --- Middle East
- America --- Africa

ZD will lead the enterprise to the future with creativity and a modern business plan. We sincerely welcome all the customers at home and abroad to our company.



Certificates

- ◉ ISO 9001 certificate since 1997
- ◉ CE certificate since 2002
- ◉ API 6D certificate since 2003
- ◉ WRAS certificate since 2006
- ◉ ISO14001 certificate since 2007
- ◉ NSF certificate since 2013
- ◉ API 609 certificate since 2015



Double Eccentric Double Flange Butterfly Valve



ZHENGZHOU CITY ZD VALVE CO.,LTD

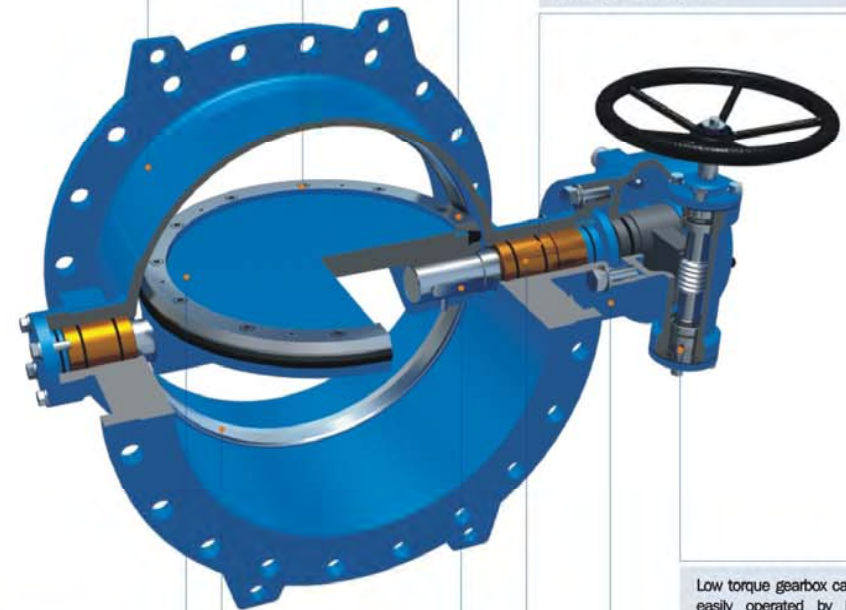
DOUBLE ECCENTRIC DOUBLE FLANGE BUTTERFLY VALVE

Flange to EN1092/ISO7005, face to face length to EN558-1/ISO5752 series 13,14 or 15.

T profiled disc seal ring fixed by retainer ensures the reliable sealing performance in both direction, which is also easy to be adjusted or replaced without any special tools.

Stainless steel fasteners.

Multiple shaft O rings provide long life and reliable sealing performance, which is easy to be adjusted or replace.



Streamlined low profiled disc ensures the lower flow resistance.

Disc to shaft connection by means of key, or taper pin.

Low torque gearbox can be easily operated by hand wheel or connect with actuator.

Stainless steel welded and finished body seat ensures reliable and durable performance.

Self lubricating bearing of Al-bronze material, free from maintenance.

ISO 5211 mounting flange connect with gearbox, part-turn electric actuator, pneumatic or hydraulic actuator etc.

Double Eccentric Double Flange Butterfly Valve

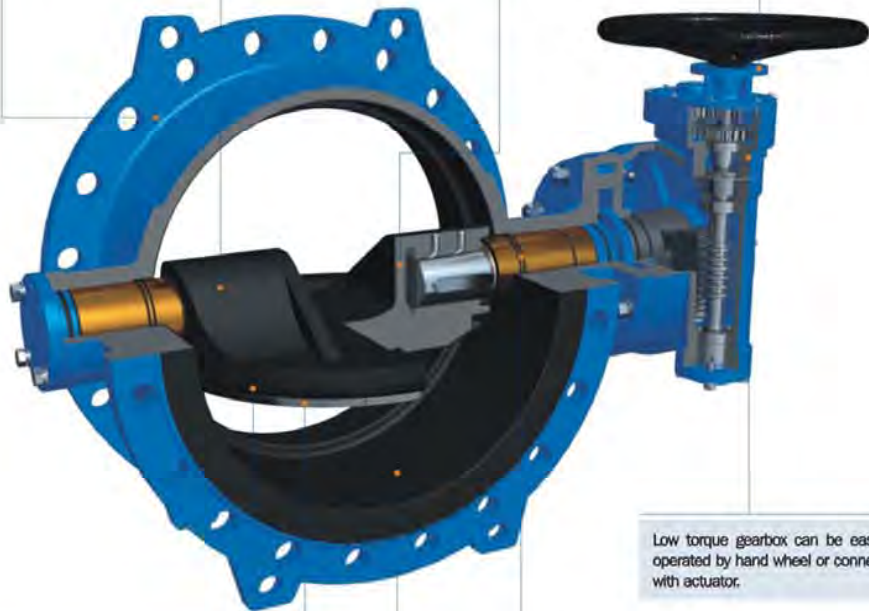
DOUBLE ECCENTRIC DOUBLE FLANGE BUTTERFLY VALVE

Flange to EN1092/ISO7005, face to face length to EN558-1/ISO5752 series 13 or 14

Dry shaft design can prevent the corrosion from service medium.

Disc is fully vulcanized with natural hard rubber.

Gearbox is equipped with ISO 5210 flange connection with actuator, and F10 is standard specified.



Streamlined low profiled disc ensures the lower flow resistance.

L profiled disc seal ring fixed by retainer ensures the reliable sealing performance in both direction, which is also easy to be adjusted or replaced without any special tools.

Body is fully vulcanized with natural hard rubber.

Multiple shaft O rings provide long life and reliable sealing performance, which is easy to be adjusted or replace.

Low torque gearbox can be easily operated by hand wheel or connect with actuator.

DOUBLE ECCENTRIC DOUBLE FLANGE BUTTERFLY VALVE

Double flanged type
Face to face length acc. to EN558-1 series 14/13/15 (ISO 5752 series 14/13/15, DIN 3202 F4/F16/F5)
Flange dimensions and drilling acc. to EN1092-2 (ISO 7005-2)

Component List

NAME	MATERIAL*	SPECIFICATION	REMARKS
Upper Shaft	Stainless Steel	1.4021(SS420)	
	Duplex Stainless Steel	1.4462(S31803)	for rubber lined butterfly valve
Key	Stainless Steel	1.4021(SS420)	
	Duplex Stainless Steel	1.4462(S31803)	for rubber lined butterfly valve
Packing Gland	Ductile Iron	GJS500-7(GGG50), GJS400-15(GGG40)	
	Carbon Steel	1.0619(WCB)	
Shaft Bearing	Bronze	QA19-2, CC331G	
O ring	Rubber	EPDM, NBR	
Pin	Stainless Steel	1.4021(SS420)	
	Duplex Stainless Steel	1.4462(S31803)	for rubber lined butterfly valve
Body	Ductile Iron	GJS500-7(GGG50), GJS400-15(GGG40)	
Disc	Ductile Iron	GJS500-7(GGG50), GJS400-15(GGG40)	
Lining ¹⁾	Rubber	Nature Rubber ²⁾	for rubber lined butterfly valve
Retainer Ring	Carbon Steel	1.0038(S235JR)	
	Stainless Steel	1.4301(SS304)	
	Duplex Stainless Steel	1.4462(S31803)	for rubber lined butterfly valve
Disc Seal Ring	Rubber	EPDM, NBR	
Lower Shaft	Stainless Steel	1.4021(SS420)	
	Duplex Stainless Steel	1.4462(S31803)	for rubber lined butterfly valve
End Cover	Ductile Iron	GJS500-7(GGG50), GJS400-15(GGG40)	
Body Seal Ring	Stainless Steel	1.4301(SS304)	
Bolt	Stainless Steel	A2-70	
		A4-70	for rubber lined butterfly valve

¹⁾As request, the rubber lining could be made of Chemonit 181 rubber sheet made by Germany Tiptop Company

²⁾Other materials are available on request

Size: DN100-DN4200

Pressure: PN6-PN40

Coating: fusion bonded epoxy coating min. thickness ≥ 250micron

Suitable medium: water and low-corrosive liquid etc.

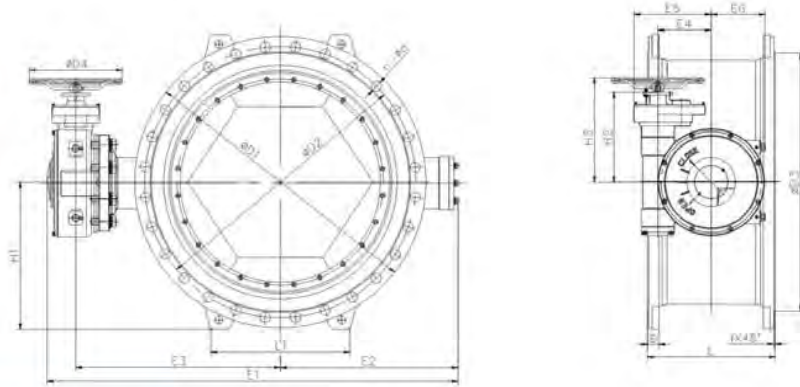
Suitable temperature: -10-80°C



(Our AWWA C504 butterfly valve is NSF 61 approved product. Please ask us separately for AWWA C504 butterfly valve catalogue.)

DOUBLE ECCENTRIC DOUBLE FLANGE BUTTERFLY VALVE

Double flanged type
 Face to face length acc. to EN558-1 series 14/13 (ISO 5752 series 14/13, DIN 3202 F4/F16)
 Flange dimensions and drilling acc. to EN1092-2 (ISO 7005-2)



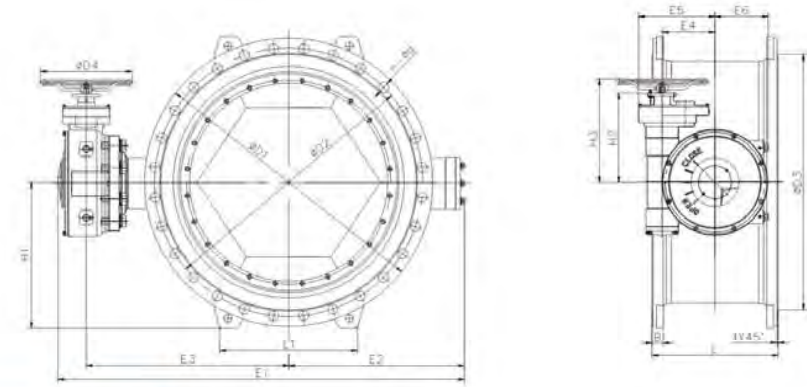
Dimensions/ PN10 unit:mm

DN	D1	D2	D3	B	f	L		n-d	H1	H2	H3	E1	E2	E3	E4	E5	E6	L1	D4
						Series 14	Series 13												
200	Φ340	Φ295	Φ266	20	3	230	152	8-Φ23	175	137	193	526	198	272	64	99	86	196	240
250	Φ395	Φ350	Φ319	22	3	250	165	12-Φ23	202.5	137	193	568	219	293	64	99	86	240	240
300	Φ445	Φ400	Φ370	24.5	4	270	178	12-Φ23	227.5	178	233	670	254	351	93.4	135	115	260	320
350	Φ505	Φ460	Φ429	24.5	4	290	190	16-Φ23	257.5	178	233	720	279	376	93.4	135	115	280	320
400	Φ565	Φ515	Φ480	24.5	4	310	216	16-Φ28	287.5	192	283	834	320	432	120	169	138	310	400
450	Φ615	Φ565	Φ530	25.5	4	330	222	20-Φ28	312.5	192	283	903	359	462	120	189	138	340	400
500	Φ670	Φ620	Φ582	26.5	4	350	229	20-Φ28	340	317	378	988	393	513	120	186	138	370	400
600	Φ780	Φ725	Φ682	30	5	390	267	20-Φ31	395	315	376	1119	450	580	148	214	166	430	400
700	Φ895	Φ840	Φ794	32.5	5	430	292	24-Φ31	452.5	315	376	1217	530	596	148	214	166	480	400
800	Φ1015	Φ950	Φ901	35	5	470	318	24-Φ34	512.5	346	407	1410	614	691	185	265	196	560	400
900	Φ1115	Φ1050	Φ1001	37.5	5	510	330	28-Φ34	562.5	346	407	1530	675	750	185	265	196	615	400
1000	Φ1230	Φ1160	Φ1112	40	5	550	410	28-Φ37	620	390	451	1712	748	839	230	333	232	670	400
1200	Φ1455	Φ1380	Φ1328	45	5	630	470	32-Φ41	732.5	451	512	1971	865	981	230	368	232	800	400
1400	Φ1675	Φ1590	Φ1530	46	5	710	530	36-Φ44	842.5	507	568	2313	1011	1138	315	453	327	920	400
1500	Φ1785	Φ1700	Φ1640	48	5	750	565	36-Φ44	897.5	507	568	2489	1112	1213	315	453	327	980	400
1600	Φ1915	Φ1820	Φ1750	49	5	790	600	40-Φ50	962.5	507	568	2588	1161	1263	315	453	327	1050	400
1800	Φ2115	Φ2020	Φ1950	52	5	870	670	44-Φ50	1063	599	660	3038	1324	1501	412	613	408	1162	400
2000	Φ2325	Φ2230	Φ2150	55	5	950	760	48-Φ50	1168	599	660	3255	1436	1606	412	613	408	1270	400

If there is any request for larger sizes, please contact us in detail.

DOUBLE ECCENTRIC DOUBLE FLANGE BUTTERFLY VALVE

Double flanged type
 Face to face length acc. to EN558-1 series 14/13 (ISO 5752 series 14/13, DIN 3202 F4/F16)
 Flange dimensions and drilling acc. to EN1092-2 (ISO 7005-2)



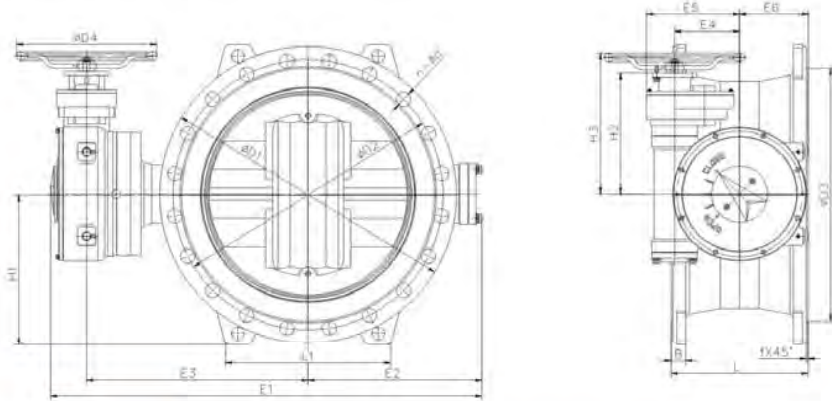
Dimensions/ PN16 unit:mm

DN	D1	D2	D3	B	f	L		n-d	H1	H2	H3	E1	E2	E3	E4	E5	E6	L1	D4
						Series 14	Series 13												
200	Φ340	Φ295	Φ266	20	3	230	152	12-Φ3	175	137	193	526	198	272	64	99	86	196	240
250	Φ405	Φ355	Φ319	22	3	250	165	12-Φ28	207.5	178	233	623	230	328	93.4	135	115	240	320
300	Φ460	Φ410	Φ370	24.5	4	270	178	12-Φ28	235	178	233	670	254	351	93.4	135	115	275	320
350	Φ520	Φ470	Φ429	26.5	4	290	190	16-Φ28	265	192	283	784	295	407	120	169	138	290	400
400	Φ580	Φ525	Φ480	28	4	310	216	16-Φ31	295	192	283	853	334	437	120	169	138	320	400
450	Φ640	Φ585	Φ548	30	4	330	222	20-Φ31	325	317	378	938	368	488	120	186	138	360	400
500	Φ715	Φ650	Φ609	31.5	4	350	229	20-Φ34	362.5	315	376	1019	400	530	148	214	166	395	400
600	Φ840	Φ770	Φ720	36	5	390	267	20-Φ37	425	315	376	1117	480	548	148	214	166	470	400
700	Φ910	Φ840	Φ794	39.5	5	430	292	24-Φ37	460	346	407	1308	563	640	185	265	196	480	400
800	Φ1025	Φ950	Φ901	43	5	470	318	24-Φ41	517.5	346	407	1426	623	698	185	265	196	560	400
900	Φ1125	Φ1050	Φ1001	46.5	5	510	330	28-Φ41	567.5	390	451	1612	698	789	230	333	232	618	400
1000	Φ1255	Φ1170	Φ1112	50	5	550	410	28-Φ44	635.5	451	512	1773	766	882	230	368	232	600	400
1200	Φ1485	Φ1390	Φ1328	57	5	630	470	32-Φ50	747.5	507	568	2112	910.5	1038	315	453	327	800	400
1400	Φ1685	Φ1590	Φ1530	60	5	710	530	36-Φ50	847.5	599	660	2529	1063	1253	412	613	408	920	400
1500	Φ1820	Φ1710	Φ1640	62.5	5	750	565	36-Φ57	915	599	660	2633	1120	1300	412	613	408	1000	400
1600	Φ1930	Φ1820	Φ1750	65	5	790	600	36-Φ57/4-M52	970	599	660	2754	1172	1369	412	613	408	1060	400
1800	Φ2130	Φ2020	Φ1950	70	5	870	670	36-Φ57/8-M52	1070	777	838	3257	1416	1602	495	725	485	1170	600
2000	Φ2345	Φ2230	Φ2150	75	5	950	760	48-Φ62	1178	777	838	3523	1583	1701	495	725	485	1290	600

If there is any request for larger sizes, please contact us in detail.

DOUBLE ECCENTRIC DOUBLE FLANGE BUTTERFLY VALVE

Double flanged type
Face to face length acc. to EN558-1 series 14 (ISO 5752 series 14, DIN 3202 F4)
Flange dimensions and drilling acc. to EN1092-2 (ISO 7005-2)



Dimensions/ PN25

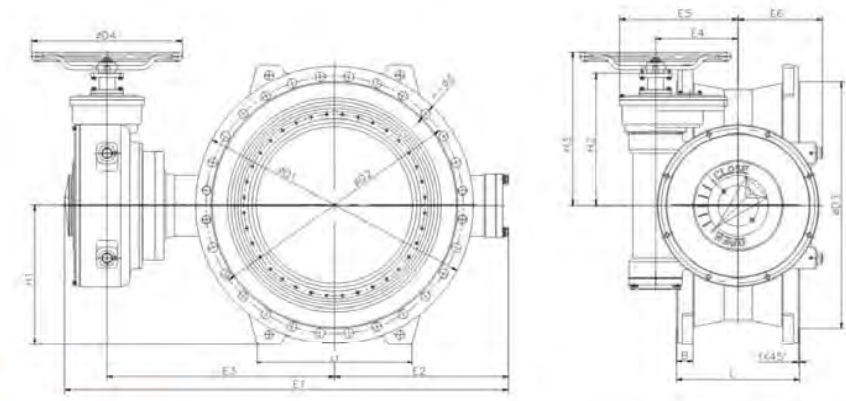
unit:mm

DN	D1	D2	D3	B	f	L Series 14	n-d	H1	H2	H3	E1	E2	E3	E4	E5	E6	L1	D4
200	Φ 360	Φ 310	Φ 274	22	3	230	12-Φ 28	190	178	233	586	221	300	93.4	135	115	220	320
250	Φ 425	Φ 370	Φ 330	25	3	250	12-Φ 31	220	178	233	656	254	337	93.4	135	115	260	320
300	Φ 485	Φ 430	Φ 389	28	4	270	16-Φ 31	250	192	283	757	298	377	120	169	138	300	400
350	Φ 555	Φ 490	Φ 448	30	4	290	16-Φ 34	285	317	378	830	318	430	120	186	138	320	400
400	Φ 620	Φ 550	Φ 503	32	4	310	16-Φ 37	315	315	376	945	370	486	148	214	166	350	400
450	Φ 670	Φ 600	Φ 548	34.5	4	330	20-Φ 37	340	315	376	991	406	496	148	214	166	370	400
500	Φ 730	Φ 660	Φ 609	37	4	350	20-Φ 37	370	346	407	1112	453	554	185	265	196	410	400
600	Φ 845	Φ 770	Φ 720	42	5	390	20-Φ 41	427.5	346	407	1235	495	631	185	265	196	470	400
700	Φ 960	Φ 875	Φ 820	46.5	5	430	24-Φ 44	485	390	451	1398	569	704	230	333	232	530	400
800	Φ 1085	Φ 990	Φ 928	51	5	470	24-Φ 50	547.5	390	451	1571	646	800	230	333	232	600	400
900	Φ 1185	Φ 1090	Φ 1028	55.5	5	510	28-Φ 50	597.5	451	512	1669	695	849	230	368	232	655	400
1000	Φ 1320	Φ 1210	Φ 1140	60	5	550	24-Φ 57/4-M52	665	507	568	1923	779	980	315	453	327	730	400
1200	Φ 1530	Φ 1420	Φ 1350	69	5	630	32-Φ 57	770	599	660	2252	903	1136	412	613	408	840	400
1400	Φ 1755	Φ 1640	Φ 1560	74	5	710	36-Φ 62	882.5	599	660	2516	1041	1262	412	613	408	970	400
1500	Φ 1865	Φ 1750	Φ 1678	77.5	5	750	36-Φ 62	937.5	599	660	2651	1130	1308	412	613	408	1030	400
1600	Φ 1975	Φ 1860	Φ 1780	81	5	790	36-Φ 62/4-M56	992.5	777	838	2852	1208	1405	485	725	485	1080	600

If there is any request for larger sizes, please contact us in detail.

DOUBLE ECCENTRIC DOUBLE FLANGE BUTTERFLY VALVE

Double flanged type
Face to face length acc. to EN558-1 series 14 (ISO 5752 series 14, DIN 3202 F4)
Flange dimensions and drilling acc. to EN1092-2 (ISO 7005-2)



Dimensions/ PN40

unit:mm

DN	D1	D2	D3	B	f	L Series 14	n-d	H1	H2	H3	E1	E2	E3	E4	E5	E6	L1	D4
200	Φ 375	Φ 320	Φ 284	30	3	230	12-Φ 31	192.5	178	233	603	229	309	93.4	135	115	180	320
250	Φ 450	Φ 385	Φ 345	35	3	250	8-Φ 34/4-M30	230	192	283	712	261	369	120	169	138	200	400
300	Φ 515	Φ 450	Φ 409	40	4	270	12-Φ 34/4-M30	262.5	317	378	795	305	408	120	186	138	240	400
350	Φ 580	Φ 510	Φ 465	44	4	290	12-Φ 37/4-M33	295	315	376	904	360	455	148	214	166	320	400
400	Φ 660	Φ 585	Φ 535	48	4	310	12-Φ 41/4-M36	335	315	376	1001	407	505	148	214	166	320	400
450	Φ 685	Φ 610	Φ 560	49	4	330	16-Φ 41/4-M36	347.5	346	407	1067	429	533	185	265	196	360	400
500	Φ 755	Φ 670	Φ 615	52	4	350	16-Φ 44/4-M39	382.5	346	407	1180	477	598	185	265	196	450	400
600	Φ 890	Φ 795	Φ 735	58	5	390	16-Φ 50/4-M45	450	390	451	1363	555	683	230	333	232	500	400
700	Φ 995	Φ 900	Φ 840	64	5	430	20-Φ 48/4-M45	505	507	568	1625	666	795	315	453	327	560	400
800	Φ 1140	Φ 1030	Φ 960	72	5	470	20-Φ 56/4-M52	575	507	568	1696	664	868	315	453	327	630	400
900	Φ 1250	Φ 1140	Φ 1070	76	5	510	24-Φ 56/4-M52	635	507	568	1904	785	955	315	453	327	690	400
1000	Φ 1360	Φ 1250	Φ 1180	80	5	550	24-Φ 56/4-M52	690	599	660	2039	837	989	412	613	408	740	400
1100	Φ 1480	Φ 1350	Φ 1280	85	5	590	24-Φ 56/8-M52	735	599	660	2384	997	1174	412	613	408	800	400
1200	Φ 1575	Φ 1460	Φ 1380	88	5	630	24-Φ 62/8-M56	792.5	777	838	2595	1077	1279	495	725	485	860	600
1400	Φ 1795	Φ 1680	Φ 1600	98	5	710	28-Φ 62/8-M56	902.5	777	838	2839	1200	1400	495	725	485	1000	600
1500	Φ 1925	Φ 1800	Φ 1715	105	5	750	28-Φ 70/8-M64	967.5	777	838	3041	1305	1497	495	725	485	1060	600
1600	Φ 2025	Φ 1900	Φ 1815	108	5	790	32-Φ 70/8-M64	1018	958		3252	1410	1520	560	820	566	1110	

If there is any request for larger sizes, please contact us in detail.

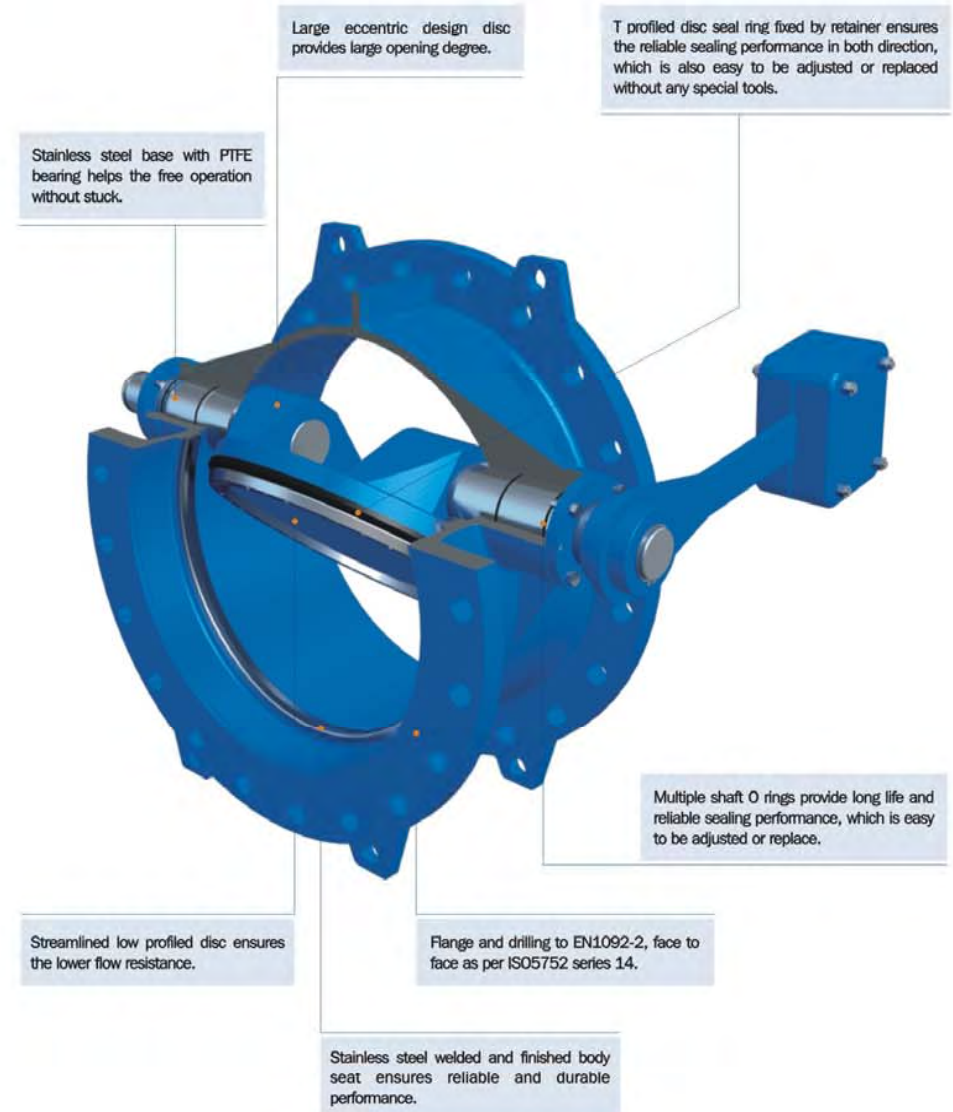


Tilting Disc Check Valve

ZHENGZHOU CITY ZD VALVE CO.,LTD



TILTING DISC CHECK VALVE



Tilting Disc Check Valve

TILTING DISC CHECK VALVE

Design standard: EN12334
Face to face length acc. to EN558-1 series 14(ISO 5752 series 14, DIN 3202 F4)
Flange dimensions and drilling acc. to EN1092-2 (ISO 7005-2)

Component List

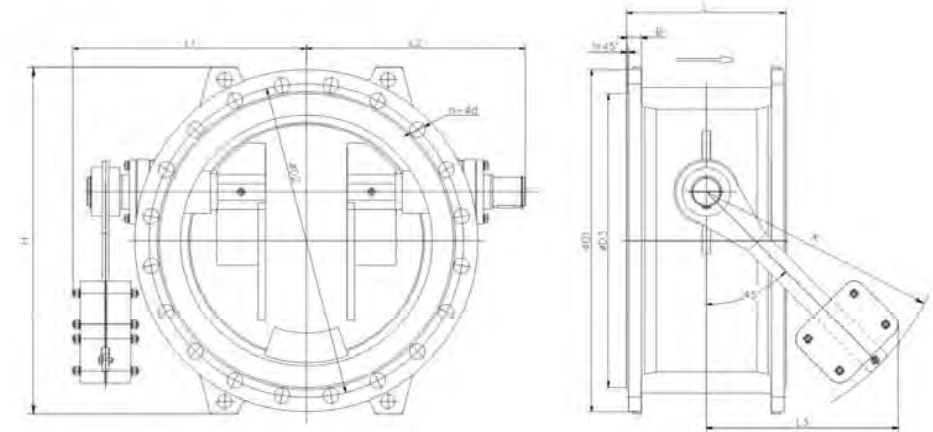
NAME	MATERIAL*	SPECIFICATION
Counterweight	Cast Iron	GJL250(GG25)
Lever	Carbon Steel	1.0038(S235JR)
End Cover	Ductile Iron	GJS500-7(GGG50), GJS400-15(GGG40)
Seal Bush	Stainless Steel	1.4301(SS304)
Shaft	Stainless Steel	1.4021(SS420)
Bearing Bush	Stainless Steel	1.4301(SS304)
Bearing	Stainless Steel Base	1.4301(SS304) + PTFE
O Ring	Rubber	EPDM, NBR
Body	Ductile Iron	GJS500-7(GGG50), GJS400-15(GGG40)
Retainer Ring	Stainless Steel	1.4301(SS304)
Bolt	Stainless Steel	A2-70
Disc Seal Ring	Rubber	EPDM, NBR
Disc	Ductile Iron	GJS500-7(GGG50), GJS400-15(GGG40)
Pin	Stainless Steel	1.4021(SS420)
Key	Stainless Steel	1.4021(SS420)

*Other materials are available on request

Size: DN100-DN2000
Pressure: PN10-PN16
Coating: fusion bonded epoxy coating min. thickness ≥ 250micron
Suitable medium: water and low-corrosive liquid etc.
Suitable temperature: -10-80°C

TILTING DISC CHECK VALVE

Design standard: EN12334
Face to face length acc. to EN558-1 series 14(ISO 5752 series 14, DIN 3202 F4)
Flange dimensions and drilling acc. to EN1092-2 (ISO 7005-2)



Dimensions/ PN10

unit:mm

DN	ΦD1	ΦD2	ΦD3	n-Φd	B	L	f×45°	H	K	L1	L2	L3
DN300	Φ460	Φ400	Φ370	12-Φ23	24.5	270	4×45°	480	300	321	314	247
DN350	Φ520	Φ460	Φ429	16-Φ23	26.5	290	4×45°	530	350	408	400	240
DN400	Φ580	Φ515	Φ480	16-Φ28	28	310	4×45°	590	400	414	389	340
DN450	Φ640	Φ565	Φ530	20-Φ28	30	330	4×45°	650	450	469	444	356
DN500	Φ715	Φ620	Φ582	20-Φ28	31.5	350	4×45°	725	500	521	487	395
DN600	Φ840	Φ725	Φ682	20-Φ31	36	390	5×45°	850	600	572	537	471
DN700	Φ910	Φ840	Φ794	24-Φ31	39.5	430	5×45°	920	700	635	595	546
DN800	Φ1025	Φ950	Φ901	24-Φ34	43	470	5×45°	1035	800	711	680	610
DN900	Φ1125	Φ1050	Φ1001	28-Φ34	46.5	510	5×45°	1135	880	963	898	657
DN1000	Φ1255	Φ1160	Φ1112	28-Φ37	50	550	5×45°	1265	1000	945	890	752
DN1200	Φ1485	Φ1380	Φ1328	30-Φ41/2-M36	57	630	5×45°	1495	1230	1017	968	1122

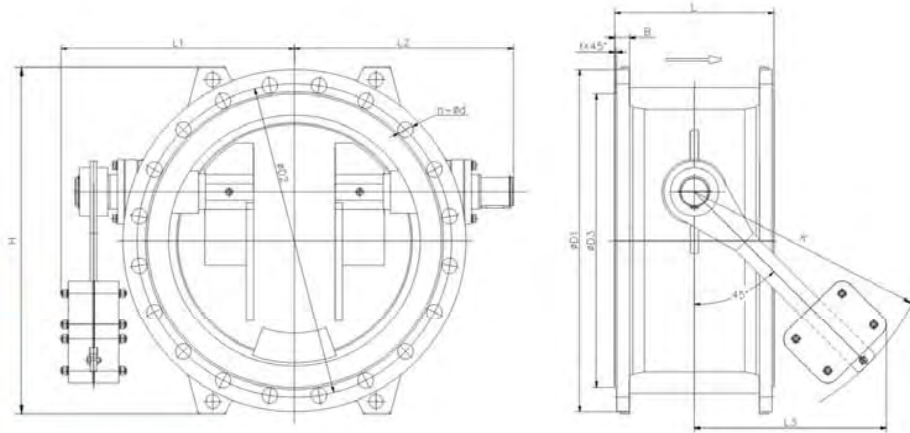
If there is any request for larger sizes, please contact us in detail.

TILTING DISC CHECK VALVE

Design standard: EN12334

Face to face length acc. to EN558-1 series 14(ISO 5752 series 14, DIN 3202 F4)

Flange dimensions and drilling acc. to EN1092-2 (ISO 7005-2)



Dimensions/ PN16

unit:mm

DN	ΦD1	ΦD2	ΦD3	n-Φd	B	L	f×45°	H	K	L1	L2	L3
DN300	Φ 460	Φ 410	Φ 370	12-Φ28	24.5	270	4×45°	480	300	321	314	247
DN350	Φ 520	Φ 470	Φ 429	16-Φ28	26.5	290	4×45°	530	350	408	400	240
DN400	Φ 580	Φ 525	Φ 480	16-Φ31	28	310	4×45°	590	400	414	389	340
DN450	Φ 640	Φ 585	Φ 548	20-Φ31	30	330	4×45°	650	450	469	444	356
DN500	Φ 715	Φ 650	Φ 609	20-Φ34	31.5	350	4×45°	725	500	521	487	395
DN600	Φ 840	Φ 770	Φ 720	20-Φ37	36	390	5×45°	850	600	572	537	471
DN700	Φ 910	Φ 840	Φ 794	24-Φ37	39.5	430	5×45°	920	700	635	595	546
DN800	Φ 1025	Φ 950	Φ 901	24-Φ41	43	470	5×45°	1035	800	711	680	610
DN900	Φ 1125	Φ 1050	Φ 1001	28-Φ41	46.5	510	5×45°	1135	880	963	898	657
DN1000	Φ 1255	Φ 1170	Φ 1112	28-Φ44	50	550	5×45°	1265	1000	945	890	752
DN1200	Φ 1485	Φ 1390	Φ 1328	30-Φ50/2-MMS	57	630	5×45°	1495	1230	1017	968	1122

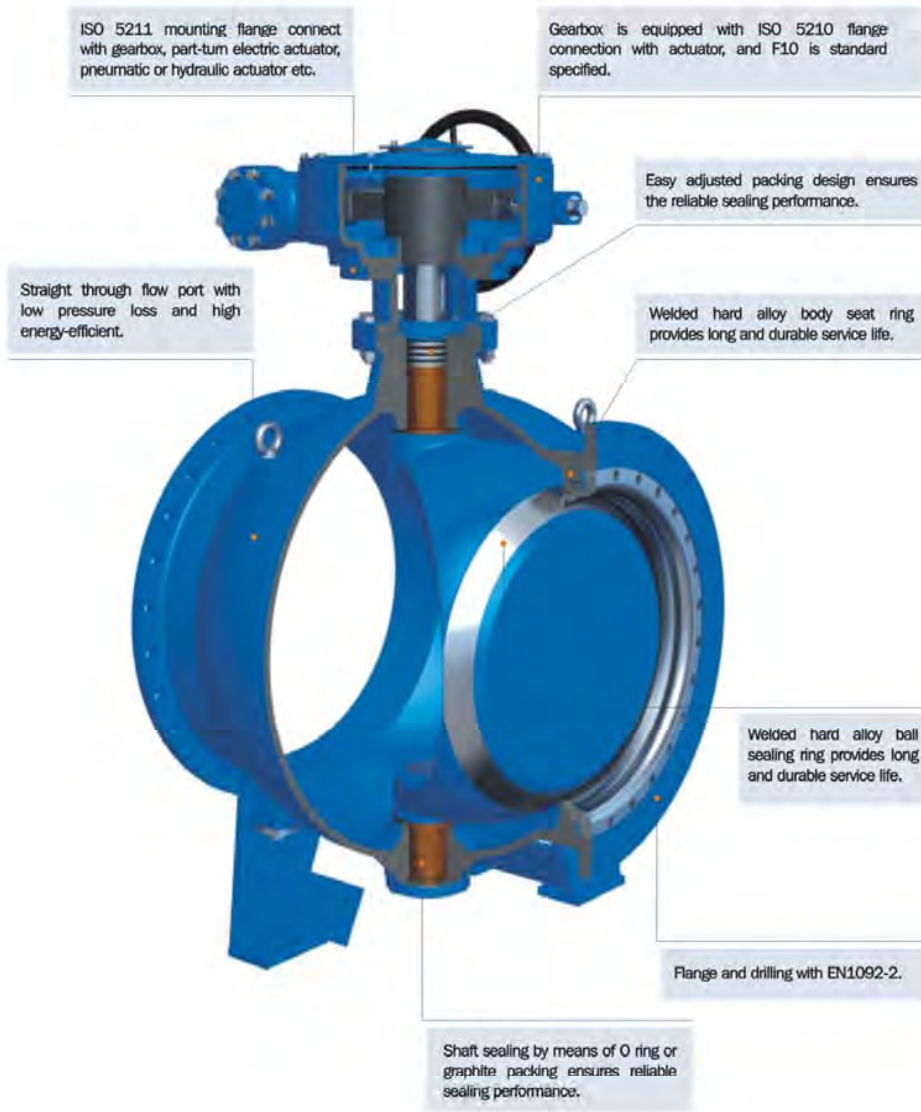
If there is any request for larger sizes, please contact us in detail.



Eccentric Ball Valve



ECCENTRIC BALL VALVE



ECCENTRIC BALL VALVE

Double flanged type
Face to face length acc. to ISO 5752/EN558-1 series 3 (>DN300, enterprise standard)
Flange dimensions and drilling acc. to ISO7005-2/EN 1092-2

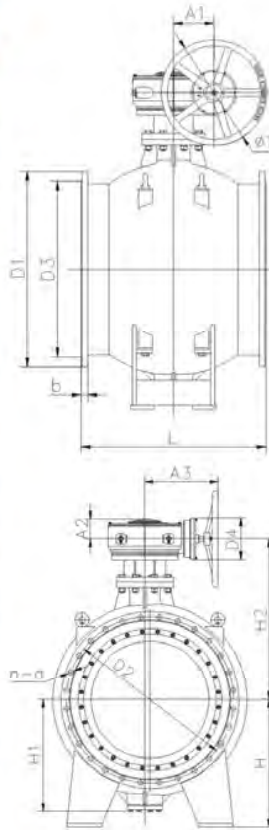
Component List		
NAME	MATERIAL*	SPECIFICATION
Key	Stainless Steel	1.4021(SS420)
Upper Shaft	Stainless Steel	1.4021(SS420)
Connection Seat	Ductile Iron	GJS500-7(GGG50), GJS400-15(GGG40)
	Carbon Steel	1.0619(WCB)
Packing Gland	Ductile Iron	GJS500-7(GGG50), GJS400-15(GGG40)
	Carbon Steel	1.0619(WCB)
Packing	Graphite	Flexible Graphite
	Rubber	EPDM, NBR
Packing Ring	Carbon Steel	1.0038(S235JR)
	PTFE	PTFE
Shaft Bearing	Bronze	QA19-2, CC331G
Ball	Carbon Steel	1.0619(WCB)+ hard alloy welded seal ring
Body	Ductile Iron	GJS500-7(GGG50), GJS400-15(GGG40)
	Carbon Steel	1.0619(WCB)
Retainer Ring	Carbon Steel	1.0619(WCB)
Seat	Carbon Steel	1.0619(WCB)+ hard alloy welded seal ring
Lower Shaft	Stainless Steel	1.4021(SS420)
Shaft Cover	Carbon Steel	1.0619(WCB)

*Other materials are available on request

Coating: epoxy painting min. thickness ≥200micron
Suitable medium: water, waste water, oil, grained slurry, and weak- corrosive liquid etc.
Suitable temperature: -10-200 °C

ECCENTRIC BALL VALVE

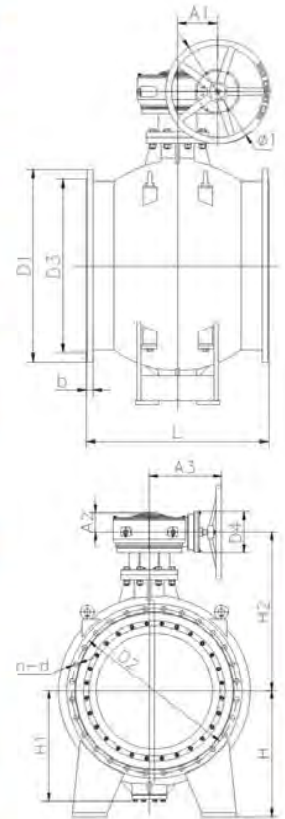
Component List															
DN	PN	L	D1	D2	D3	b	D4	n-d	H	H1	H2	A1	A2	A3	Φ1
100	6	210	170	144	18			4-Φ18							
100	10	229	220	180	156	19		8-Φ18		130	270	64	56	193	Φ240
100	16		220	180	156	19		8-Φ18							
125	6	240	200	174	20			8-Φ18							
125	10	254	250	210	184	19		8-Φ18		148	290	64	56	193	Φ240
125	16		250	210	184	19		8-Φ18							
150	6	265	225	199	20			8-Φ18							
150	10	267	285	240	211	19		8-Φ22		173	331	93	65	233	Φ320
150	16		285	240	211	19		8-Φ22							
200	6	320	280	254	22			8-Φ18							
200	10	292	340	295	266	20		8-Φ22		195	375	93	65	233	Φ320
200	16		340	295	266	20		12-Φ22							
250	6	375	335	309	24			12-Φ18							
250	10	330	395	350	319	22		12-Φ22		225	447	120	81.5	282.5	Φ400
250	16		405	355	319	22		12-Φ26							
300	6	440	395	363	24			12-Φ22							
300	10	356	445	400	370	25		12-Φ22		260	485	120	81.5	282.5	Φ400
300	16		460	410	370	25		12-Φ26							
350	6	490	445	413	24			12-Φ22							
350	10	440	505	460	429	25	174	16-Φ22		300	525	148	89	354	Φ500
350	16		520	470	429	27		16-Φ26							
400	6	540	495	463	24			16-Φ22							
400	10	500	565	515	480	25	174	16-Φ26		332	560	148	89	354	Φ500
400	16		580	525	480	28		16-Φ30							
450	6	595	550	518	24			16-Φ22							
450	10	560	615	565	530	26	174	20-Φ26		360	610	148	89	354	Φ500
450	16		640	585	548	30		20-Φ30							
500	6	645	600	568	26			20-Φ22							
500	10	620	670	620	582	27	174	20-Φ26		400	695	185	105	379	Φ500
500	16		715	650	609	32		20-Φ33		400	695	185	105	379	Φ500
600	6	755	705	667	28	174		20-Φ26							
600	10	800	780	725	662	30	174	20-Φ30	500						
600	16		840	770	720	36	258	20-Φ36							
700	6	860	810	772	28	174		24-Φ26							
700	10	850	885	840	794	33	174	24-Φ30	630						
700	16		910	840	794	40	258	24-Φ36							
800	6	975	920	878	30	258		24-Φ30							
800	10	900	1015	960	901	35	258	24-Φ33	700						
900	6	1075	1020	978	38	258		24-Φ30							
900	10	1050	1115	1050	1001	38	258	28-Φ33	800						
1000	6	1175	1120	1078	30	326		28-Φ30							
1000	10	1200	1230	1160	1112	40	326	28-Φ37	820						
1200	6	1405	1340	1295	32	326		32-Φ33							
1200	10	1500	1455	1380	1328	45	326	32-Φ39	980						
1400	6	1630	1560	1510	36	438		36-Φ36							
1400	10	1650	1675	1590	1530	46	438	36-Φ42	1150						
1500	6	1730	1660	1610	38	438		36-Φ36	1300						
1500	10	1750	1915	1820	1750	48	438	36-Φ44	1250						
1600	6	1830	1760	1710	38	460		40-Φ36							
1600	10	1850	1915	1820	1750	49	460	40-Φ48	1400						



If there is any request for larger sizes, please contact us in detail.

ECCENTRIC BALL VALVE

Component List															
DN	PN	L	D1	D2	D3	b	D4	n-d	H	H1	H2	A1	A2	A3	Φ1
100	6	210	170	144	18			4-Φ18							
100	10	229	220	180	156	19		8-Φ18							
100	16		220	180	156	19		8-Φ18		130	270	64	56	193	Φ240
125	6	240	200	174	20			8-Φ18							
125	10	254	250	210	184	19		8-Φ18		148	290	64	56	193	Φ240
125	16		250	210	184	19		8-Φ18							
150	6	265	225	199	20			8-Φ18							
150	10	267	285	240	211	19		8-Φ22		173	331	93	65	233	Φ320
150	16		285	240	211	19		8-Φ22							
200	6	320	280	254	22			8-Φ18							
200	10	292	340	295	266	20		8-Φ22		195	375	93	65	233	Φ320
200	16		340	295	266	20		12-Φ22							
250	6	375	335	309	24			12-Φ18							
250	10	330	395	350	319	22		12-Φ22		225	447	120	81.5	282.5	Φ400
250	16		405	355	319	22		12-Φ26							
300	6	440	395	363	24			12-Φ22							
300	10	356	445	400	370	25		12-Φ22		260	485	120	81.5	282.5	Φ400
300	16		460	410	370	25		12-Φ26							
350	6	490	445	413	24			12-Φ22							
350	10	440	505	460	429	25	174	16-Φ22		300	525	148	89	350	Φ500
350	16		520	470	429	27		16-Φ26							
400	6	540	495	463	24			16-Φ22							
400	10	500	565	515	480	25	174	16-Φ26		332	560	148	89	354	Φ500
400	16		580	525	480	28		16-Φ30							
450	6	595	550	518	24			16-Φ22							
450	10	560	615	565	530	26	174	20-Φ26		360	610	148	89	354	Φ500
450	16		640	585	548	30		20-Φ30							
500	6	645	600	568	26			20-Φ22							
500	10	620	670	620	582	27	174	20-Φ26		400	695	185	105	379	Φ500
500	16		715	650	609	32		20-Φ33		400	695	185	105	379	Φ500
600	6	755	705	667	28	174		20-Φ26							
600	10	800	780	725	662	30	174	20-Φ30							
600	16		840	770	720	36	258	20-Φ36							
700	6	860	810	772	28	174		24-Φ26							
700	10	850	885	840	794	33	174	24-Φ30							
700	16		910	840	794	40	258	24-Φ36							
800	6	975	920	878	30	258		24-Φ30							
800	10	900	1015	960	901	35	258	24-Φ33							
900	6	1075	1020	978	38	258		24-Φ30							
900	10	1050	1115	1050	1001	38	258	28-Φ33							
1000	6	1175	1120	1078	30	326		28-Φ30							
1000	10	1200	1230	1160	1112	40	326	28-Φ37							
1200	6	1405	1340	1295	32	326		32-Φ33							
1200	10	1500	1455	1380	1328	45	326	32-Φ39							
1400	6	1630	1560	1510	36	438		36-Φ36							
1400	10	1650	1675	1590	1530	46	438	36-Φ42							
1500	6	1730	1660	1610	38	438		36-Φ36							
1500	10	1750	1915	1820	1750	48	438	36-Φ44							
1600	6	1830	1760	1710	38	460		40-Φ36							
1600	10	1850	1915	1820	1750	49	460	40-Φ48							

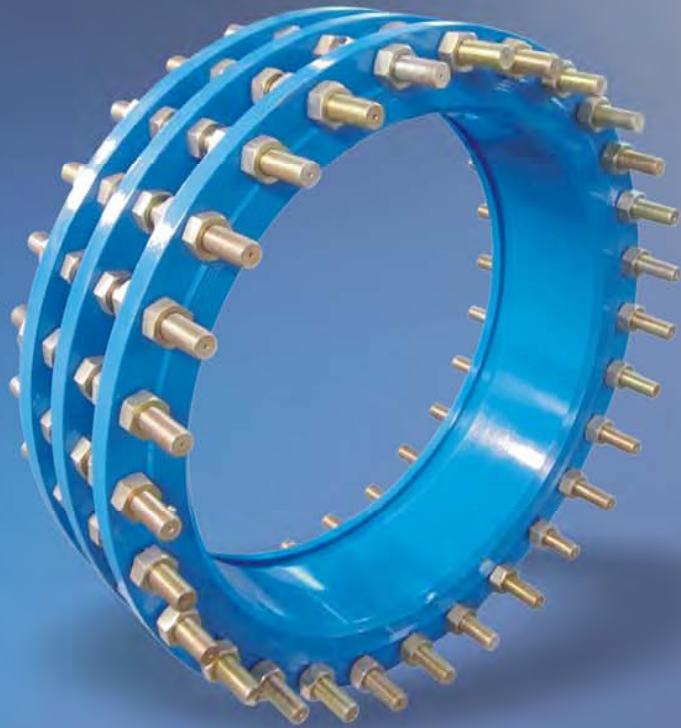


If there is any request for larger sizes, please contact us in detail.

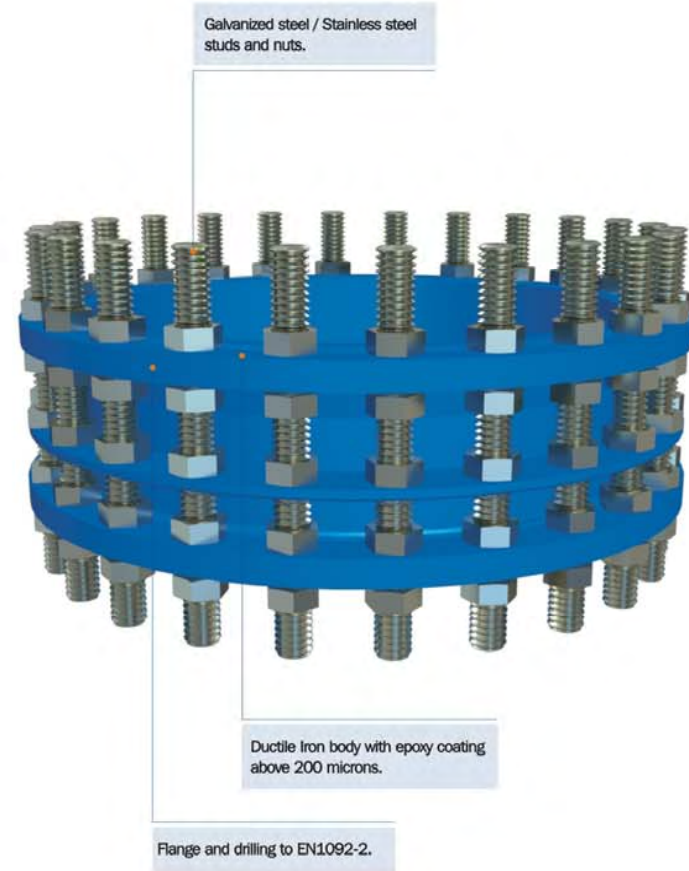


Dismantling Joint

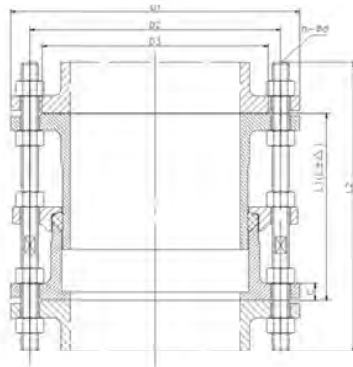
ZHENGZHOU CITY ZD VALVE CO.,LTD



DISMANTLING JOINT



DISMANTLING JOINT



Component List

NAME	MATERIAL*	SPECIFICATION
Long body	Ductile Iron	GJS500-7(GGG50), GJS400-15(GGG40)
Gland	Ductile Iron	GJS500-7(GGG50), GJS400-15(GGG40)
Seal ring	Rubber	EPDM, NBR
Short body	Ductile Iron	GJS500-7(GGG50), GJS400-15(GGG40)
Stud	Carbon Steel	Galvanized steel grade 4.8, grade 8.8
Nut	Carbon Steel	1.0038(S235JR) Galvanized

*Other materials are available on request.

Size: DN100-DN4200

Pressure: PN6-PN40

Coating: fusion bonded epoxy coating min. thickness ≥200micron

Suitable medium: water and low-corrosive liquid etc.

Suitable temperature: -10-80°C

Dimensions/ PN10

unit:mm

DN	PN	D1	D2	D3	n-φd	C	L1(L±Δ)	L2
100	10	φ 220	φ 180	φ 156	8-φ 19	19	200(175±25)	300
125	10	φ 250	φ 210	φ 184	8-φ 19	19	200(175±25)	300
150	10	φ 285	φ 240	φ 211	8-φ 23	19	200(175±25)	320
200	10	φ 340	φ 295	φ 266	8-φ 23	20	220(195±25)	340
250	10	φ 395	φ 350	φ 319	12-φ 23	22	230(205±25)	350
300	10	φ 445	φ 400	φ 370	12-φ 23	24.5	250(225±25)	360
350	10	φ 505	φ 460	φ 429	16-φ 23	24.5	260(235±25)	380
400	10	φ 565	φ 515	φ 480	16-φ 28	24.5	270(245±25)	380
450	10	φ 615	φ 565	φ 530	20-φ 28	25.5	270(245±25)	390
500	10	φ 670	φ 620	φ 582	20-φ 28	26.5	280(255±25)	410
600	10	φ 780	φ 725	φ 682	20-φ 31	30	300(275±25)	420
700	10	φ 895	φ 840	φ 794	24-φ 31	32.5	300(275±25)	480
800	10	φ 1015	φ 960	φ 901	24-φ 34	35	320(295±25)	520
900	10	φ 1115	φ 1060	φ 1001	28-φ 34	37.5	320(295±25)	500
1000	10	φ 1230	φ 1160	φ 1112	28-φ 37	40	340(315±25)	520
1100	10	φ 1340	φ 1270	φ 1218	32-φ 37	42.5	340(315±25)	515
1200	10	φ 1455	φ 1380	φ 1328	32-φ 41	45	400(370±30)	585
1300	10	φ 1575	φ 1490	φ 1430	36-φ 42	58	380(355±25)	620
1400	10	φ 1675	φ 1590	φ 1530	36-φ 44	46	380(355±25)	575
1500	10	φ 1785	φ 1700	φ 1640	36-φ 44	47.5	400(375±25)	605
1600	10	φ 1915	φ 1820	φ 1750	40-φ 50	49	400(375±25)	610
1800	10	φ 2115	φ 2020	φ 1950	44-φ 50	52	420(395±25)	635
2000	10	φ 2325	φ 2230	φ 2150	48-φ 50	55	440(415±25)	730

DISMANTLING JOINT

Dimensions/ PN16

unit:mm

DN	PN	D1	D2	D3	n-φd	C	L1(L±Δ)	L2
100	16	φ 220	φ 180	φ 156	8-φ 19	19	200(175±25)	300
125	16	φ 250	φ 210	φ 184	8-φ 19	19	200(175±25)	300
150	16	φ 285	φ 240	φ 211	8-φ 23	19	200(175±25)	320
200	16	φ 340	φ 295	φ 266	8-φ 23	20	220(195±25)	340
250	16	φ 405	φ 355	φ 319	12-φ 23	22	230(205±25)	360
300	16	φ 460	φ 410	φ 370	12-φ 23	24.5	250(225±25)	390
350	16	φ 520	φ 470	φ 429	16-φ 23	26.5	260(235±25)	400
400	16	φ 580	φ 525	φ 480	16-φ 28	28	270(245±25)	420
450	16	φ 640	φ 585	φ 548	20-φ 28	30	270(245±25)	420
500	16	φ 715	φ 650	φ 609	20-φ 28	31.5	280(255±25)	440
600	16	φ 840	φ 770	φ 720	20-φ 31	36	300(275±25)	480
700	16	φ 910	φ 840	φ 794	24-φ 31	39.5	300(275±25)	480
800	16	φ 1025	φ 950	φ 901	24-φ 34	43	320(295±25)	520
900	16	φ 1125	φ 1050	φ 1001	28-φ 34	46.5	320(295±25)	520
1000	16	φ 1255	φ 1170	φ 1112	28-φ 37	50	340(315±25)	540
1100	16	φ 1355	φ 1270	φ 1218	32-φ 37	53.5	340(315±25)	560
1200	16	φ 1485	φ 1390	φ 1328	32-φ 41	57	400(370±30)	620
1300	16	φ 1585	φ 1490	φ 1430	36-φ 42	58	380(355±25)	630
1400	16	φ 1685	φ 1590	φ 1530	36-φ 44	60	380(355±25)	630
1500	16	φ 1820	φ 1710	φ 1640	36-φ 44	62.5	400(375±25)	660
1600	16	φ 1930	φ 1820	φ 1750	40-φ 50	63	400(375±25)	660
1800	16	φ 2130	φ 2020	φ 1950	44-φ 50	70	420(395±25)	720
2000	16	φ 2345	φ 2230	φ 2150	48-φ 50	75	440(415±25)	750

Dimensions/ PN25

unit:mm

DN	PN	D1	D2	D3	n-φd	C	L1(L±Δ)	L2
100	25	φ 235	φ 190	φ 156	8-φ 23	19	220(200±20)	340
125	25	φ 270	φ 220	φ 184	8-φ 28	19	220(200±20)	330
150	25	φ 300	φ 250	φ 211	8-φ 28	20	220(200±20)	340
200	25	φ 360	φ 310	φ 274	12-φ 28	22	230(205±25)	370
250	25	φ 425	φ 370	φ 330	12-φ 31	24.5	250(225±25)	390
300	25	φ 485	φ 430	φ 389	16-φ 31	27.5	250(225±25)	380
350	25	φ 555	φ 490	φ 448	16-φ 34	30	270(245±25)	440
400	25	φ 620	φ 550	φ 503	16-φ 37	32	305(285±25)	480
450	25	φ 670	φ 600	φ 548	20-φ 37	34.5	305(285±25)	480
500	25	φ 730	φ 660	φ 609	20-φ 37	36.5	300(275±25)	480
600	25	φ 845	φ 770	φ 720	20-φ 41	42	345(320±25)	540
700	25	φ 960	φ 875	φ 820	20-φ 44	46.5	340(315±25)	530
800	25	φ 1085	φ 990	φ 928	24-φ 50	51	360(335±25)	600
900	25	φ 1185	φ 1090	φ 1028	28-φ 50	55.5	380(335±25)	600
1000	25	φ 1320	φ 1210	φ 1140	28-φ 57	60	400(375±25)	650
1200	25	φ 1530	φ 1420	φ 1350	32-φ 57	69	450(425±25)	720
1400	25	φ 1755	φ 1640	φ 1580	36-φ 62	74	480(455±25)	770
1600	25	φ 1975	φ 1860	φ 1780	40-φ 62	81	510(485±25)	815