



# Cast Iron Butterfly Valve

## Model: 375-376-377 Wafer

**Model 375**  
Body: Cast iron  
Disc: Cast iron  
Liner: see table

**Model 376**  
Body: Cast iron  
Disc: CF8M (316 S.S.)  
Liner: see table

**Model 377**  
Body: Cast iron  
Disc: Bronze aluminium  
Liner: see table

**Standard executions:**

Standard flanges: PN 10 - PN 16 - ANSI 150 from  
DN 40 to DN 300  
PN 10 from DN 350 to DN 900.  
Face to face as per EN 558-1 series 20  
Valve head as per ISO 5211:2003 (DN 40-DN 300)  
Tightness as per EN 12266-1 rate A

Other tests on request:  
Working temperature:

EPDM from -40°C to +135°C  
NBR from -23°C to +82°C  
VITON from -10°C to +190°C\*  
PTFE from -25°C to +150°C\*

Working pressure between flanges:

PN 16 bar for DN 40 to DN 300  
PN 10 bar for DN 350 to DN 900

\* DN 40-DN 300

**On request:**

Working temperature: SILICONE from -50°C to +160°C  
NBR CARBOX from -10°C to +82°C  
NBR WHITE from -23°C to +82°C\*  
HNBR from -30°C to +100°C\*

For other applications, please contact our technical department.

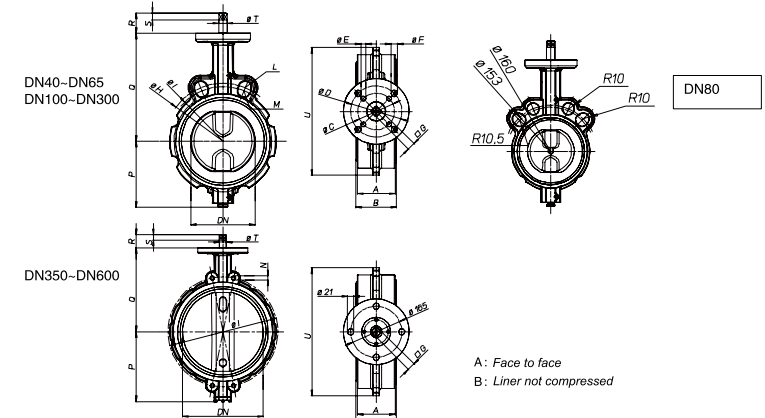
**Approvals:**

According to 97/23 EC "PED"  
DVGW homologation for gas (V375-V376)  
RINA homologation  
suitabilities to the contact with water and alimentary fluid (V376)  
ATEX directive 94/9/EC on request



## Model: 375-376-377 Free Shaft

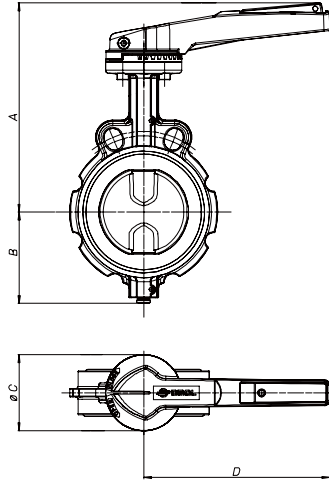
VALVE CODES FREE SHAFT IN STANDARD EXECUTION									
DISC	CAST IRON			AISI 316				BRONZE ALUMINIUM	
	LINER	EPDM	NBR	VITON	EPDM	NBR	VITON	PTFE	EPDM
DN 40	V375XE68	V375XN68	V375XV68	V376XE68	V376XN68	V376XV68	V376XT68	V377XE68	V377XN68
DN 50	V375XE69	V375XN69	V375XV69	V376XE69	V376XN69	V376XV69	V376XT69	V377XE69	V377XN69
DN 65	V375XE70	V375XN70	V375XV70	V376XE70	V376XN70	V376XV70	V376XT70	V377XE70	V377XN70
DN 80	V375XE71	V375XN71	V375XV71	V376XE71	V376XN71	V376XV71	V376XT71	V377XE71	V377XN71
DN 100	V375XE72	V375XN72	V375XV72	V376XE72	V376XN72	V376XV72	V376XT72	V377XE72	V377XN72
DN 125	V375XE73	V375XN73	V375XV73	V376XE73	V376XN73	V376XV73	V376XT73	V377XE73	V377XN73
DN 150	V375XE74	V375XN74	V375XV74	V376XE74	V376XN74	V376XV74	V376XT74	V377XE74	V377XN74
DN 200	V375XE75	V375XN75	V375XV75	V376XE75	V376XN75	V376XV75	V376XT75	V377XE75	V377XN75
DN 250	V375XE76	V375XN76	V375XV76	V376XE76	V376XN76	V376XV76	V376XT76	V377XE76	V377XN76
DN 300	V375XE77	V375XN77	V375XV77	V376XE77	V376XN77	V376XV77	V376XT77	V377XE77	V377XN77
DN 350	V375KE78	----	----	V376KE78	----	----	----	----	----
DN 400	V375KE79	----	----	V376KE79	----	----	----	----	----
DN 450	V375KE80	----	----	V376KE80	----	----	----	----	----
DN 500	V375KE81	----	----	V376KE81	----	----	----	----	----
DN 600	V375KE82	----	----	V376KE82	----	----	----	----	----



DIMENSIONS																						
Size	A	B	C	D	E	F	G	G'	H	I	L	M	N	P	Q	R	R'	S	S'	T	U	
DN 40	33	36	50	70	6,5	8,5	9		110	98,5	R10	R9		70	125	31		9			14,2	116
DN 50	43	46	50	70	6,5	8,5	9		125	121	R10	R10,5		80	140	31		9			14,2	128
DN 65	46	49	50	70	6,5	8,5	11	9	145	140	R10	R10,5		86	152	33	31	11	9		14,2	128
DN 80	46	49	50	70	6,5	8,5	11	9						95,5	159	33	31	11	9		14,2	153
DN100	52	56	50	70	6,5	8,5	11		191	180	R10,5	R10		108	178	33		11			14,2	175
DN125	56	59	70		8,5		14	11	216	210	R12,5	R10		124,5	190,5	36	33	14	11	19	19	197
DN150	56	59	70		8,5		14	14	242	240	R12,5	R12		137	203	36		14			19	222
DN200	60	64	70		8,5		17		299	295	R12,5	R12		166	238	39		17			22,2	279
DN250	68	72	102	125	11	13	22	17	362	350	R14	R13,5		199	268	55	50	22	17		28,5	340
DN300	78	81,5	102	125	11	13	22		432	400	R14	R13,5		234	306	55		22			28,5	410
DN350	78	82							22	460			M20	293	352		55		22		28,5	446
DN400	102	105							27	515			M24	325	388		60		27		36,5	508
DN 450	114	118							27	565			M24	348	415		60		27		36,5	543
DN 500	127	130,5							36	620			M24	386,5	441		70		36		48,5	600
DN 600	154	158							36	725			M27	447,5	505		70		36		48,5	718

N.B.: G', R', S' DIMENSIONS REFERRED TO PN10 VALVES  
VALVE SIZE UP TO DN900, PLEASE CONTACT OUR TECHNICAL DEPARTMENT.

## Model: 375-376-377 With Lever



Size	A	B	C	D	Kg
DN 40	188	70	90	160	2,2
DN 50	203	80	90	160	3,0
DN 65	225	86	90	220	3,8
DN 80	230	95,5	90	220	4,0
DN 100	250	108	90	220	5,1
DN 125	277	124,5	90	350	7,8
DN 150	290	137	90	350	9,2
DN 200	325	166	90	350	13,3
DN 250	390	199	175	500	25,1
DN 300	426	234	175	500	34,5

### VALVE CODE WITH LEVER

DISC	CAST IRON				AISI 316				BRONZE-ALUMINIUM		LEVER
	EPDM	NBR	VITON	PTFE	EPDM	NBR	VITON	PTFE	EPDM	NBR	
DN 40	L375XE68	L375XN68	L375XV68		L376XE68	L376XN68	L376XV68	L376XT68	L377XE68	L377XN68	KLW37569
DN 50	L375XE69	L375XN69	L375XV69		L376XE69	L376XN69	L376XV69	L376XT69	L377XE69	L377XN69	KLW37569
DN 65	L375XE70	L375XN70	L375XV70		L376XE70	L376XN70	L376XV70	L376XT70	L377XE70	L377XN70	KLW37570
DN 80	L375XE71	L375XN71	L375XV71		L376XE71	L376XN71	L376XV71	L376XT71	L377XE71	L377XN71	KLW37570
DN 100	L375XE72	L375XN72	L375XV72		L376XE72	L376XN72	L376XV72	L376XT72	L377XE72	L377XN72	KLW37570
DN 125	L375XE73	L375XN73	L375XV73		L376XE73	L376XN73	L376XV73	L376XT73	L377XE73	L377XN73	KLW37573
DN 150	L375XE74	L375XN74	L375XV74		L376XE74	L376XN74	L376XV74	L376XT74	L377XE74	L377XN74	KLW37573
DN 200	L375XE75	L375XN75	L375XV75		L376XE75	L376XN75	L376XV75	L376XT75	L377XE75	L377XN75	KLW37575
DN 250	L375XE76	L375XN76	L375XV76		L376XE76	L376XN76	L376XV76	L376XT76	L377XE76	L377XN76	KLW37576
DN 300	L375XE77	L375XN77	L375XV77		L376XE77	L376XN77	L376XV77	L376XT77	L377XE77	L377XN77	KLW37576

### LEVER FEATURES

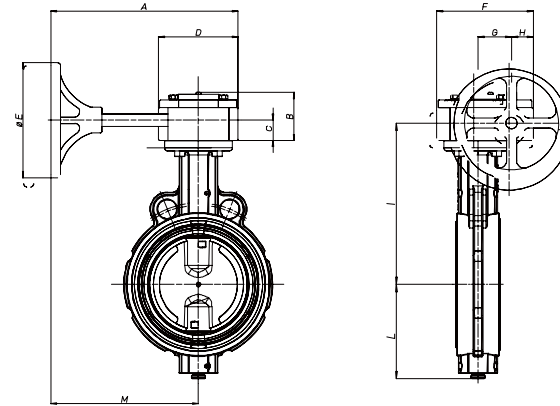
10-position lever; lockable in each position  
Material: Aluminium  
Surface coating: polyester  
Weight: from 0,3 to 0,9 Kg

### BREAK AWAY TORQUES in Nm

size	DN40	DN50	DN65	DN80	DN100	DN125	DN150	DN200	DN250	DN300	DN350	DN400	DN450	DN500	DN600
PN 10 bar	15	15	17	19	27	36	54	109	145	218	340	510	680	1020	1300
PN 16 bar	18	18	25	27	35	52	72	142	170	250					

Torque can vary depending on temperature and type of fluid; a safety factor of 1.4 must be applied. Torque can drop on high frequency of operations.

## Model: 375-376-377 With Gear Box



### GEAR BOX FEATURES

Reliable device working by means of pinion and worm screw.  $\pm 5^\circ$  possible adjustment in both directions, without having to disassemble anything. An arrow indicates the position of the valve. Body in cast iron GGG40. Worm screw and bush in treated steel. Handwheel in Aluminium. Epoxy-painted surface.

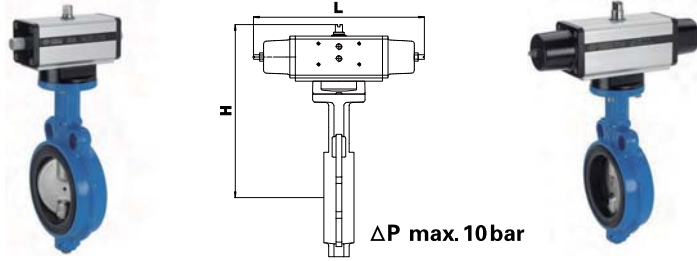
### VALVE CODE WITH GEAR BOX

DISC	CAST IRON				AISI 316				BRONZE-ALUMINIUM		GEAR BOX
	EPDM	NBR	FKM	PTFE	EPDM	NBR	FKM	PTFE	EPDM	NBR	
DN 40	R375XE68	R375XN68	R375XV68		R376XE68	R376XN68	R376XV68	R376XT68	R377XE68	R377XN68	RW006W69
DN 50	R375XE69	R375XN69	R375XV69		R376XE69	R376XN69	R376XV69	R376XT69	R377XE69	R377XN69	RW006W69
DN 65	R375XE70	R375XN70	R375XV70		R376XE70	R376XN70	R376XV70	R376XT70	R377XE70	R377XN70	RW006W70
DN 80	R375XE71	R375XN71	R375XV71		R376XE71	R376XN71	R376XV71	R376XT71	R377XE71	R377XN71	RW006W70
DN 100	R375XE72	R375XN72	R375XV72		R376XE72	R376XN72	R376XV72	R376XT72	R377XE72	R377XN72	RW006W70
DN 125	R375XE73	R375XN73	R375XV73		R376XE73	R376XN73	R376XV73	R376XT73	R377XE73	R377XN73	RW006W73
DN 150	R375XE74	R375XN74	R375XV74		R376XE74	R376XN74	R376XV74	R376XT74	R377XE74	R377XN74	RW006W73
DN 200	R375XE75	R375XN75	R375XV75		R376XE75	R376XN75	R376XV75	R376XT75	R377XE75	R377XN75	RW007W75
DN 250	R375XE76	R375XN76	R375XV76		R376XE76	R376XN76	R376XV76	R376XT76	R377XE76	R377XN76	RW007W76
DN 300	R375XE77	R375XN77	R375XV77		R376XE77	R376XN77	R376XV77	R376XT77	R377XE77	R377XN77	RW007W76
DN 350	R375KE78	----	----		R376KE78	----	----	----	----	----	RW008W78
DN 400	R375KE79	----	----		R376KE79	----	----	----	----	----	RW008W79
DN 450	R375KE80	----	----		R376KE80	----	----	----	----	----	RW008W79
DN 500	R375KE81	----	----		R376KE81	----	----	----	----	----	RW008W81
DN 600	R375KE82	----	----		R376KE82	----	----	----	----	----	RW008W81

### DIMENSIONS

Size	A	B	C	D	E	F	G	H	I	L	M	Kg
DN 40	245	64	27	106	152	128,5	45	30	166,5	73	192	5,9
DN 50	245	64	27	106	152	128,5	45	30	166,5	73	192	6,7
DN 65	245	64	27	106	152	128,5	45	30	179,5	80	192	7,4
DN 80	245	64	27	106	152	128,5	45	30	186	86	192	7,6
DN 100	245	64	27	106	152	128,5	45	30	178	103,5	192	8,7
DN 125	245	64	27	106	152	128,5	45	30	217,5	118	192	11,2
DN 150	245	64	27	106	152	128,5	45	30	230	132	192	12,5
DN 200	320	80	34	155	320	180	66	36	272,5	162,5	243	23,6
DN 250	320	80	34	155	320	180	66	36	302,5	194,5	243	34,2
DN 300	320	80	34	155	320	180	66	36	340,5	226,5	243	43,7
DN 350	418	118	56,5	260	302	289	120	39	408,5	293	288	78,1
DN 400	418	118	56,5	260	302	289	120	39	444,5	325	288	99,3
DN 450	418	118	56,5	260	302	289	120	39	471,5	348	288	116
DN 500	410	159	119	260	400	310	120	60	560	386,5	280	155,5
DN 600	410	159	119	260	400	310	120	60	624	447,5	280	217,5

## Pneumatic Valve Model: 375-376-377 PN 10

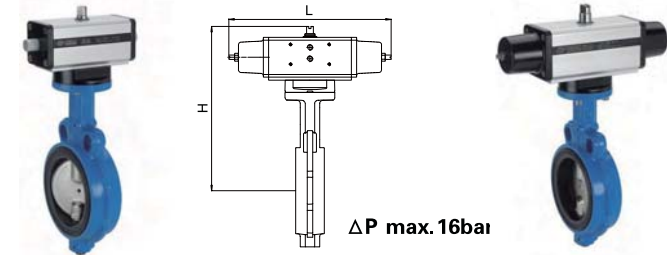


VALVE WITH DOUBLE ACTING PNEUMATIC ACTUATOR															
	DN40	DN50	DN65	DN80	DN100	DN125	DN150	DN200	DN250	DN300	DN350	DN400	DN450	DN500	DN600
Lmm	168	168	168	168	182	190	225	268	314	336	365	401	445	529	581
Hmm	228	242	255	261	286	303	323	387	438	488	545	599	631	690	766
Kg.	3	3,8	4,5	4,7	6	8,8	10,4	16,1	28,6	40	59,6	84,4	103,1	138,3	206

VALVE WITH SPRING RETURN PNEUMATIC ACTUATOR															
	DN40	DN50	DN65	DN80	DN100	DN125	DN150	DN200	DN250	DN300	DN350	DN400	DN450	DN500	DN600
Lmm	240	240	240	240	294	320	357	436	456	656	602	712	767	975	975
Hmm	238	252	265	271	298	329	351	409	461	518	568	637	676	788,5	852,5
Kg.	4	4,8	5,5	5,7	7,2	10,7	13,2	22,1	34,3	48,7	70,4	99,1	123,5	189,6	251,6

BODY IN CAST IRON											
BUTTERFLY	CAST IRON			AISI 316				BRONZE-ALUMINIUM		ACTUATOR	
	LINER	EPDM	NBR	VITON	EPDM	NBR	VITON	PTFE	EPDM	NBR	
DN 40	D375XE68	D375XN68	D375XV68	D376XE68	D376XN68	D376XV68	D376XT68	D377XE68	D377XN68	DA 30	
	S375XE68	S375XN68	S375XV68	S376XE68	S376XN68	S376XV68	S376XT68	S377XE68	S377XN68	SR 30	
DN 50	D375KE69	D375KN69	D375KV69	D376KE69	D376KN69	D376KV69	D376KT69	D377KE69	D377KN69	DA 30	
	S375KE69	S375KN69	S375KV69	S376KE69	S376KN69	S376KV69	S376KT69	S377KE69	S377KN69	SR 30	
DN 65	D375KE70	D375KN70	D375KV70	D376KE70	D376KN70	D376KV70	D376KT70	D377KE70	D377KN70	DA 30	
	S375KE70	S375KN70	S375KV70	S376KE70	S376KN70	S376KV70	S376KT70	S377KE70	S377KN70	SR 30	
DN 80	D375KE71	D375KN71	D375KV71	D376KE71	D376KN71	D376KV71	D376KT71	D377KE71	D377KN71	DA 30	
	S375KE71	S375KN71	S375KV71	S376KE71	S376KN71	S376KV71	S376KT71	S377KE71	S377KN71	SR 30	
DN 100	D375KE72	D375KN72	D375KV72	D376KE72	D376KN72	D376KV72	D376KT72	D377KE72	D377KN72	DA 45	
	S375KE72	S375KN72	S375KV72	S376KE72	S376KN72	S376KV72	S376KT72	S377KE72	S377KN72	SR 45	
DN 125	D375KE73	D375KN73	D375KV73	D376KE73	D376KN73	D376KV73	D376KT73	D377KE73	D377KN73	DA 60	
	S375KE73	S375KN73	S375KV73	S376KE73	S376KN73	S376KV73	S376KT73	S377KE73	S377KN73	SR 60	
DN 150	D375KE74	D375KN74	D375KV74	D376KE74	D376KN74	D376KV74	D376KT74	D377KE74	D377KN74	DA 90	
	S375KE74	S375KN74	S375KV74	S376KE74	S376KN74	S376KV74	S376KT74	S377KE74	S377KN74	SR 90	
DN 200	D375KE75	D375KN75	D375KV75	D376KE75	D376KN75	D376KV75	D376KT75	D377KE75	D377KN75	DA 180	
	S375KE75	S375KN75	S375KV75	S376KE75	S376KN75	S376KV75	S376KT75	S377KE75	S377KN75	SR 180	
DN 250	D375KE76	D375KN76	D375KV76	D376KE76	D376KN76	D376KV76	D376KT76	D377KE76	D377KN76	DA 240	
	S375KE76	S375KN76	S375KV76	S376KE76	S376KN76	S376KV76	S376KT76	S377KE76	S377KN76	SR 240	
DN 300	D375KE77	D375KN77	D375KV77	D376KE77	D376KN77	D376KV77	D376KT77	D377KE77	D377KN77	DA 360	
	S375KE77	S375KN77	S375KV77	S376KE77	S376KN77	S376KV77	S376KT77	S377KE77	S377KN77	SR 360	
DN 350	D375KE78	---	---	D376KE78	---	---	---	---	---	DA 480	
	S375KE78	---	---	S376KE78	---	---	---	---	---	SR 480	
DN 400	D375KE79	---	---	D376KE79	---	---	---	---	---	DA 720	
	S375KE79	---	---	S376KE79	---	---	---	---	---	SR 720	
DN 450	D375KE80	---	---	D376KE80	---	---	---	---	---	DA 960	
	S375KE80	---	---	S376KE80	---	---	---	---	---	SR 960	
DN 500	D375KE81	---	---	D376KE81	---	---	---	---	---	DA 1440	
	S375KE81	---	---	S376KE81	---	---	---	---	---	SR 1920	
DN 600	D375KE82	---	---	D376KE82	---	---	---	---	---	DA 1920	
	S375KE82	---	---	S376KE82	---	---	---	---	---	SR 1920	

## Pneumatic Valve Model: 375-376-377 PN 16

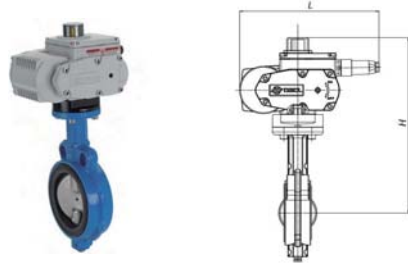


VALVE WITH DOUBLE ACTING PNEUMATIC ACTUATOR														
	DN40	DN50	DN65	DN80	DN100	DN125	DN150	DN200	DN250	DN300				
Lmm	168	168	182	182	190	225	240	314	336	365				
Hmm	242	242	260	267	290	310	342	397	449	500				
Kg.	3	3,8	4,8	5	6,3	9,1	11,4	18	30,55	41,2				

VALVE WITH SPRING RETURN PNEUMATIC ACTUATOR														
	DN40	DN50	DN65	DN80	DN100	DN125	DN150	DN200	DN250	DN300				
Lmm	240	240	294	294	320	357	368	456	566	602				
Hmm	252	252	272	279	316	339	362	421	479	523				
Kg.	4	4,8	5,9	6,1	8,3	11,8	15,3	23,7	39,2	52				

BODY IN CAST IRON											
BUTTERFLY	CAST IRON			AISI 316				BRONZE-ALUMINIUM		ACTUATOR	
	LINER	EPDM	NBR	VITON	EPDM	NBR	VITON	PTFE	EPDM	NBR	
DN 40	D375XE68	D375XN68	D375XV68	D376XE68	D376XN68	D376XV68	D376XT68	D377XE68	D377XN68	DA 30	
	S375XE68	S375XN68	S375XV68	S376XE68	S376XN68	S376XV68	S376XT68	S377XE68	S377XN68	SR 30	
DN 50	D375XE69	D375XN69	D375XV69	D376XE69	D376XN69	D376XV69	D376XT69	D377XE69	D377XN69	DA 30	
	S375XE69	S375XN69	S375XV69	S376XE69	S376XN69	S376XV69	S376XT69	S377XE69	S377XN69	SR 30	
DN 65	D375XE70	D375XN70	D375XV70	D376XE70	D376XN70	D376XV70	D376XT70	D377XE70	D377XN70	DA 45	
	S375XE70	S375XN70	S375XV70	S376XE70	S376XN70	S376XV70	S376XT70	S377XE70	S377XN70	SR 45	
DN 80	D375XE71	D375XN71	D375XV71	D376XE71	D376XN71	D376XV71	D376XT71	D377XE71	D377XN71	DA 45	
	S375XE71	S375XN71	S375XV71	S376XE71	S376XN71	S376XV71	S376XT71	S377XE71	S377XN71	SR 45	
DN 100	D375XE72	D375XN72	D375XV72	D376XE72	D376XN72	D376XV72	D376XT72	D377XE72	D377XN72	DA 60	
	S375XE72	S375XN72	S375XV72	S376XE72	S376XN72	S376XV72	S376XT72	S377XE72	S377XN72	SR 60	
DN 125	D375XE73	D375XN73	D375XV73	D376XE73	D376XN73	D376XV73	D376XT73	D377XE73	D377XN73	DA 90	
	S375XE73	S375XN73	S375XV73	S376XE73	S376XN73	S376XV73	S376XT73	S377XE73	S377XN73	SR 90	
DN 150	D375XE74	D375XN74	D375XV74	D376XE74	D376XN74	D376XV74	D376XT74	D377XE74	D377XN74	DA 120	
	S375XE74	S375XN74	S375XV74	S376XE74	S376XN74	S376XV74	S376XT74	S377XE74	S377XN74	SR 120	
DN 200	D375XE75	D375XN75	D375XV75	D376XE75	D376XN75	D376XV75	D376XT75	D377XE75	D377XN75	DA 240	
	S375XE75	S375XN75	S375XV75	S376XE75	S376XN75	S376XV75	S376XT75	S377XE75	S377XN75	SR 240	
DN 250	D375XE76	D375XN76	D375XV76	D376XE76	D376XN76	D376XV76	D376XT76	D377XE76	D377XN76	DA 360	
	S375XE76	S375XN76	S375XV76	S376XE76	S376XN76	S376XV76	S376XT76	S377XE76	S377XN76	SR 360	
DN 300	D375XE77	D375XN77	D375XV77	D376XE77	D376XN77	D376XV77	D376XT77	D377XE77	D377XN77	DA 480	
	S375XE77	S375XN77	S375XV77	S376XE77	S376XN77	S376XV77	S376XT77	S377XE77	S377XN77	SR 480	

## Electric Valve Model: 375-376-377



230Vac version code are showed in table below.  
To order valves with "NEW GENERATION" MODULATING ACTUATORS (part number starting with letter "C") the actuator configuration is necessary. According to section A3

VALVE WITH ON-OFF ELECTRIC ACTUATOR															
	DN 40	DN 50	DN 65	DN 80	DN 100	DN 125	DN 150	DN 200	DN 250	DN 300	DN 350	DN 400	DN 450	DN 500	DN 600
Lmm	213	213	213	213	213	213	261,1	261,1	256,5	381	381	381	381	381	381
Hmm	284,1	298,8	311,5	317,8	336,9	349,6	383	418	485,5	573,5	619	655	682	717	781
Kg.	5,6	6,5	7,2	7,4	8,6	11,1	15,8	20,2	32,4	53,3	72,7	93,9	110,6	141,1	203,1

VALVE WITH ROTARY MODULATING ELECTRIC ACTUATOR															
	DN 40	DN 50	DN 65	DN 80	DN 100	DN 125	DN 150	DN 200	DN 250	DN 300	DN 350	DN 400	DN 450	DN 500	DN 600
Lmm	213	213	213	213	213	213	261,1	261,1	381	381	381	381	381	381	381
Hmm	347,9	362,6	375,3	381,6	400,7	413,4	446,8	481,8	305,5	573,5	619	655	682	717	781
Kg.	6,3	7,1	7,8	8	9,3	11,7	16,4	20,8	46,1	55,6	74	95,2	111,9	141,4	203,4

BODY IN CAST IRON											
BUTTERFLY	CAST IRON			AISI 316				BRONZE-ALUMINIUM		ACTUATOR	
	LINER	EPDM	NBR	VITON	EPDM	NBR	VITON	PTFE	EPDM		NBR
DN 40	C375EA5E68	C375NA5E68	C375VA5E68	C376EA5E68	C376NA5E68	C376VA5E68	C376TA5E68	C377EA5E68	C377NA5E68	EA 35	
DN 50	C375EA5E69	C375NA5E69	C375VA5E69	C376EA5E69	C376NA5E69	C376VA5E69	C376TA5E69	C377EA5E69	C377NA5E69	EA 35	
DN 65	C375EA5E70	C375NA5E70	C375VA5E70	C376EA5E70	C376NA5E70	C376VA5E70	C376TA5E70	C377EA5E70	C377NA5E70	EA 35	
DN 80	C375EA5E71	C375NA5E71	C375VA5E71	C376EA5E71	C376NA5E71	C376VA5E71	C376TA5E71	C377EA5E71	C377NA5E71	EA 35	
DN 100	C375EA5G72	C375NA5G72	C375VA5G72	C376EA5G72	C376NA5G72	C376VA5G72	C376TA5G72	C377EA5G72	C377NA5G72	EA 70	
DN 125	C375EA5G73	C375NA5G73	C375VA5G73	C376EA5G73	C376NA5G73	C376VA5G73	C376TA5G73	C377EA5G73	C377NA5G73	EA 70	
DN 150	C375EA5I74	C375NA5I74	C375VA5I74	C376EA5I74	C376NA5I74	C376VA5I74	C376TA5I74	C377EA5I74	C377NA5I74	EA 130	
DN 200	C375EA5K75	C375NA5K75	C375VA5K75	C376EA5K75	C376NA5K75	C376VA5K75	C376TA5K75	C377EA5K75	C377NA5K75	EA 240	
DN 250	E375E16N76 M375E16P76	E375N16N76 M375N16P76	E375V16N76 M375V16P76	E376E16N76 M376E16P76	E376N16N76 M376N16P76	E376V16N76 M376V16P76	E376T16N76 M376T16P76	E377E16N76 M377E16P76	E377N16N76 M377N16P76	AE 400 AM 500	
DN 300	E375E16R77 M375E16P77	E375N16R77 M375N16P77	E375V16R77 M375V16P77	E376E16R77 M376E16P77	E376N16R77 M376N16P77	E376V16R77 M376V16P77	E376T16R77 M376T16P77	E377E16R77 M377E16P77	E377N16R77 M377N16P77	AE 600 AM 500	
DN 350	E375E16T78 M375E16T78	---	---	E376E16T78 M376E16T78	---	---	---	---	---	AE 1000 AM 1000	
DN 400	E375E16T79 M375E16T79	---	---	E376E16T79 M376E16T79	---	---	---	---	---	AE 1000 AM 1000	
DN 450	E375E16T80 M375E16T80	---	---	E376E16T80 M376E16T80	---	---	---	---	---	AE 1000 AM 1000	
DN 500	E375E16V81 M375E16V81	---	---	E376E16V81 M376E16V81	---	---	---	---	---	AE 1500 AM 1500	
DN 600	E375E16X82 M375E16X82	---	---	E376E16X82 M376E16X82	---	---	---	---	---	AE 2000 AM 2000	

## Electric Valve Model: 375-376-377

VALVE-ACTUATOR CONNECTION KIT				
VALVE SIZE	ACTUATOR	CONNECTION KIT	ACTUATOR	CONNECTION KIT
DN 40	DA 30	KCF042896		
	SR 30	KCF042895		
	EA 35	KCF052925		
DN 50	DA 30	KCF042896		
	SR 30	KCF042895		
	EA 35	KCF052925		
DN 65	DA 30	KCF042896	DA 45	KCF042895
	SR 30	KCF042895	SR 45	KCF052925
	EA 35	KCF052925		
DN 80	DA 30	KCF042896	DA 45	KCF042895
	SR 30	KCF042895	SR 45	KCF052925
	EA 35	KCF052925		
DN 100	DA 45	KCF042896	DA 60	KCF042896
	SR 45	KCF052897	SR 60	KCF052897
	EA 70	KCF052897		
DN 125	DA 60	KCF042904	DA 90	KCF052898
	SR 60	KCF052897	SR 90	KCF072899
	EA 70	KCF052897		
DN 150	DA 90	KCF052898	DA 120	KCF052898
	SR 90	KCF072899	SR 120	KCF072899
	EA 130	KCF072899		
DN 200	DA 180	KCF052898	DA 240	KCF052898
	SR 180	KCF102900	SR 240	KCF102900
	EA 240	KCF102900		
DN 250	DA 240	KCF072906	DA 360	KCF102901
	SR 240	KCF103034	SR 360	KCF122902
	AE 400	KCE562932	AM 500	KCE562932
DN 300	DA 360	KCF102901	DA 480	KCF102901
	SR 360	KCF123212	SR 480	KCF122902
	AE 600	KCE563350	AM 500	KCE562932
DN 350	DA 480	KCF103211		
	SR 480	KCF123212		
	AE 1000	KCE563395	AM 1000	KCF563395
DN 400	DA 720	KCF123213		
	SR 720	KCF143214		
	AE 1000	KCE563350	AM 1000	KCE563350
DN 450	DA 960	KCF123213		
	SR 960	KCF143214		
	AE 1000	KCE563350	AM 1000	KCE563350
DN 500	DA 1440	KCF143215		
	SR 1920	KCF163216		
	AE 1500	KCE563390	AM 1500	KCE563390
DN 600	DA 1920	KCF143215		
	SR 1920	KCF163216		
	AE 2000	KCE563390	AM 2000	KCE563390