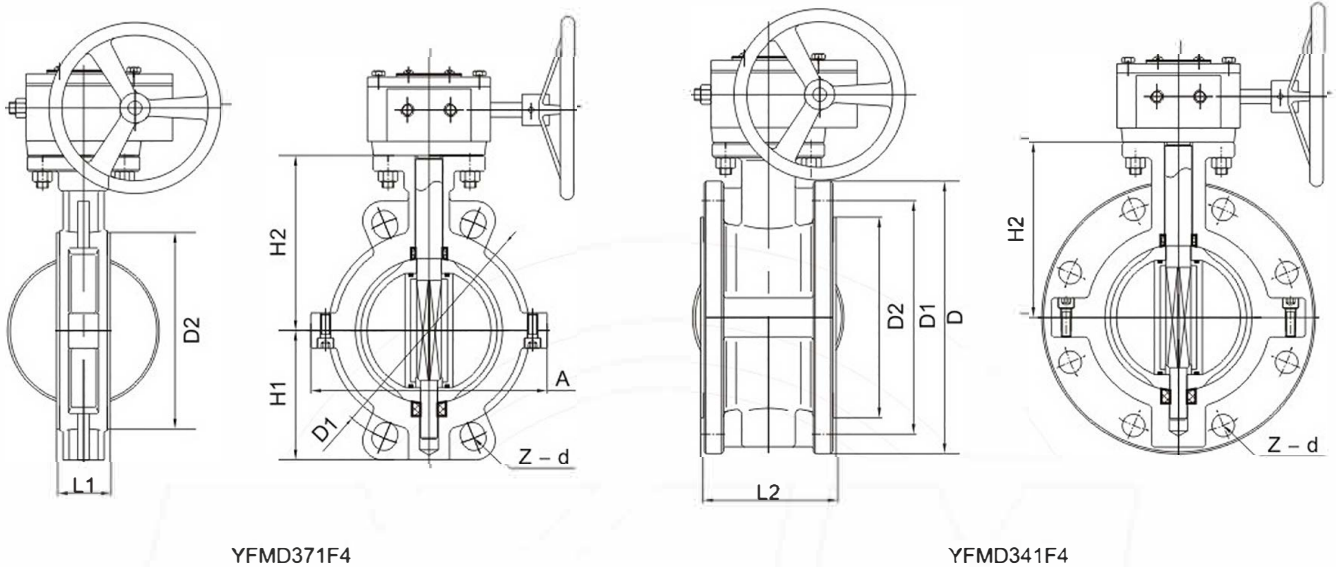


A Lined Valve

Lined Butterfly Valve

PTFE lined Butterfly Valve



HG/T 20592

Unit:mm

DN	NPS	L1 Wafer	L2 Flange	PN1.0MPa			PN1.6MPa			D2	H1	H2	A
				D	D1	Z-d	D	D1	Z-d				
40	1 1/2	40	106	150	110	4-18	150	110	4-18	70	60	90	78
50	2	43	108	165	125	4-18	165	125	4-18	90	70	112	96
65	2 1/2	46	112	185	145	4-18	185	145	4-18	110	80	125	112
80	3	46	114	200	160	8-18	200	160	8-18	130	89	135	130
100	4	52	127	220	180	8-18	220	180	8-18	148	105.5	142	150
125	5	56	140	250	210	8-18	250	210	8-18	181	121	165	178
150	6	56	140	285	240	8-22	285	240	8-22	202	145	180	206
200	8	60	152	340	295	8-22	340	295	12-22	263	177	228	260
250	10	68	165	395	350	12-22	405	355	12-26	313	205	278	317
300	12	78	178	445	400	12-22	460	410	12-26	368	235	295	367
350	14	78	190	505	460	16-22	520	470	16-26	415	260	341	466
400	16	102	216	565	515	16-26	580	525	16-30	484	299	390	495
450	18	114	222	615	565	20-26	640	585	20-30	519	320	442	630
500	20	127	229	670	620	20-26	715	650	20-33	569	352.5	470	694

Note: for more size please consult factory.